

FLOW REGULATORS

Body in anodised aluminium alloy
 Oil-resistant seals
 Regulating needle with brass (non-removable) stop

Max. operating pressure : 12 bar
 Ambient and fluid temperature : -20 to +80 °C
 The seal's opening and closing movement are automatic and work without the assistance of a compensating spring.

OPERATING PRINCIPLES AND FLOW-CAPACITY CHARACTERISTICS

Regulating valves with **M5 - 1/8" - 1/4" - 3/8" - 1/2"** connections.

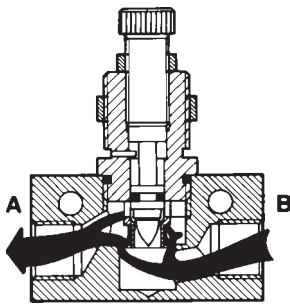


Fig. 1 : Route for air with free passage

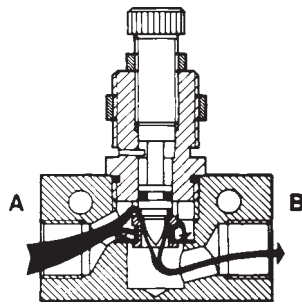
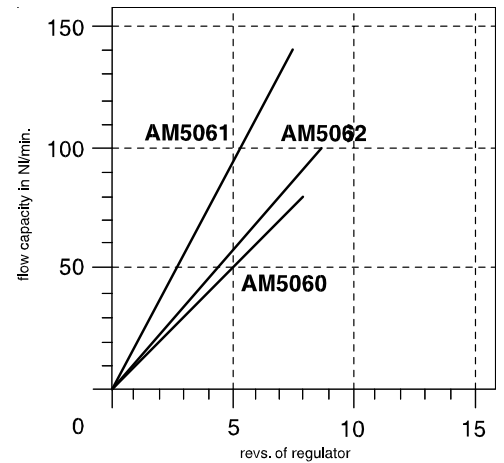
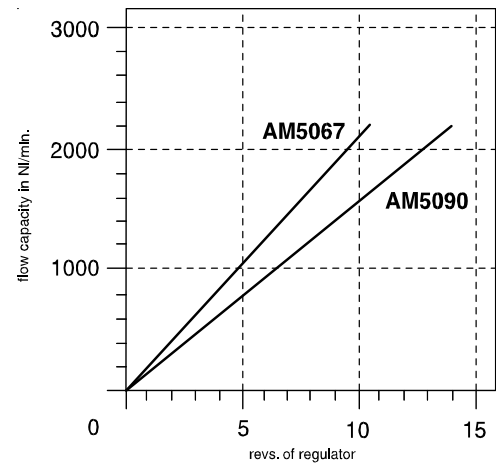
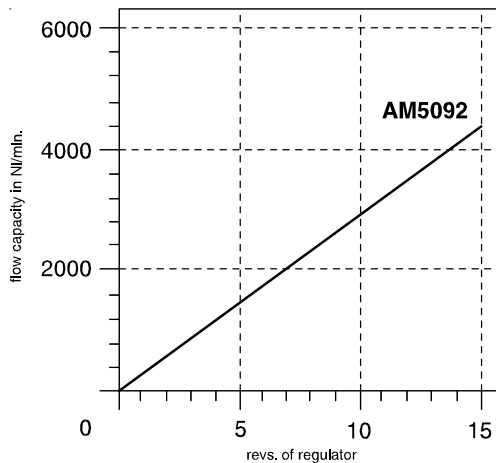
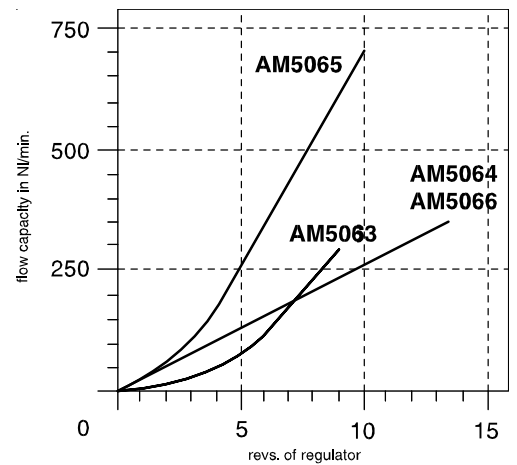
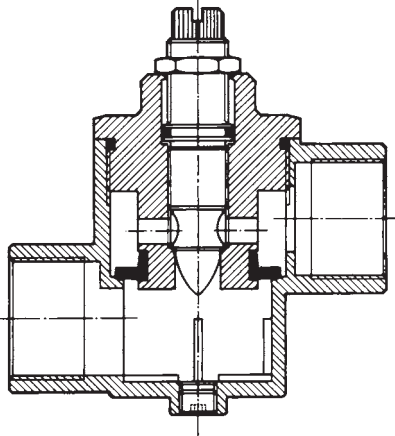


Fig. 2 : Route for air with regulated passage







Regulating valves with **1/2" - 3/4" - 1"** connections.

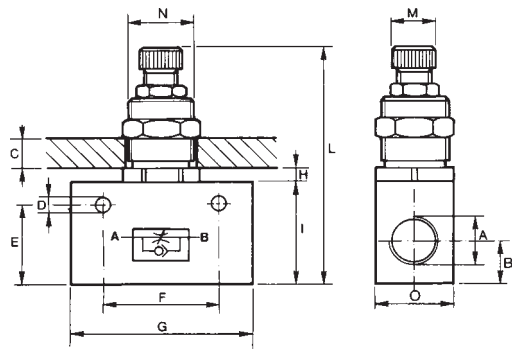


Technical modifications keep in reserve !

(98/05)

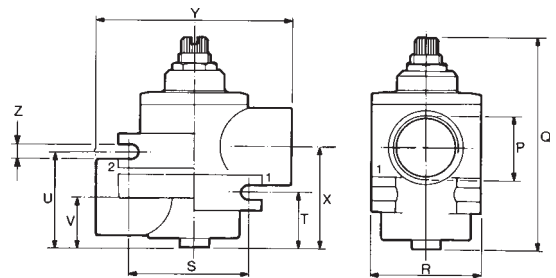
Type	Symbol	Connections	Flow capacity NI/min		Ø orifice mm		Pressure bar	Mass kg	Part number
			regulated	free	regulated	free			
M5 ÷ G 1/2 	 unidirectional regulation	M5	99	125	1	2	0 ÷ 12	0,06	AM-5060
		G 1/8	100	410	1	5		0,05	AM-5061
		G 1/8	140	470	2.25	5		0,05	AM-5062
		G 1/8	280	520	3.5	5		0,05	AM-5063
		G 1/4	350	890	5	7		0,12	AM-5064
		G 1/4	700	900	6	6		0,12	AM-5065
		G 3/8	350	980	6	7		0,11	AM-5066
		G 1/2	2200	2800	9	12		0,22	AM-5067
		G 1/2	2300	4500	9	15		0,42	AM-5090
		G 3/4	2300	4500	9	15		0,35	AM-5091
G 1/2 ÷ G 1 	 bidirectional regulation	M5	99		1		0 ÷ 12	0,06	AM-5070
		G 1/8	160		1			0,05	AM-5071
		G 1/8	114		2.25			0,05	AM-5072
		G 1/4	360		5			0,12	AM-5074
		G 3/8	380		6			0,11	AM-5076
		G 1/2	2000		9			0,22	AM-5077

Overall dimensions

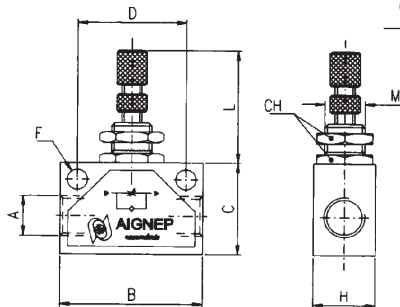


Connections A	B	max C	D	E	F	G	H	I	L min-max	M	N	O
M5	10	6	3,5	17	19	25	4	23	48-55	7	M 12x1	15
G 1/8	8	6	4,5	18	25	35	4	23	48-55	7	M 12x1	15
G 1/4	11	14	6,3	23,5	35	52	4	30	69-76	10	M 20x1,5	25
G 3/8	11	14	6,3	23,5	35	52	4	30	69-76	10	M 20x1,5	25
G 1/2	18,5	18	6,5	35	44	65	5	40	82-92	15	M 20x1,5	30

Connections P	Q min-max	R	S	T	U	V	X	Y	Z
G 1/2-G 3/4	92-102	40	43	25	41	22	47	107	6,245
G 1	108-121	57	58	30	50	26	53	101	8,25



UNIDIRECTIONAL FLOW REGULATORS Series 8850



Connections A	B	C	H	D	F	L	M	CH	CODE
G 1/8	35	22	18	25	4.5	48-56	M12x0.75	15	8850-1/8"
G 1/4	46	30	20	35	6.5	56-64	M12x0.75	15	8850-1/4"