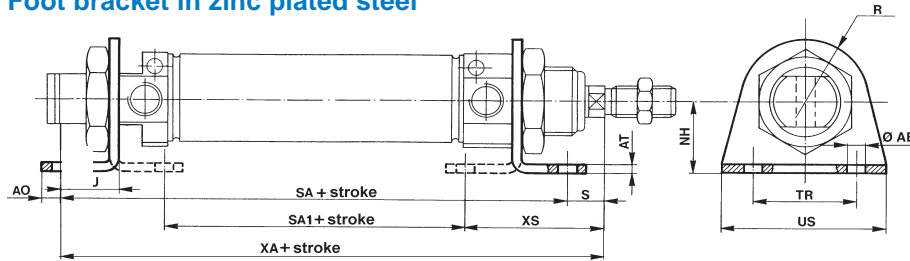


ACCESSORIES for ISO MICROCYLINDERS

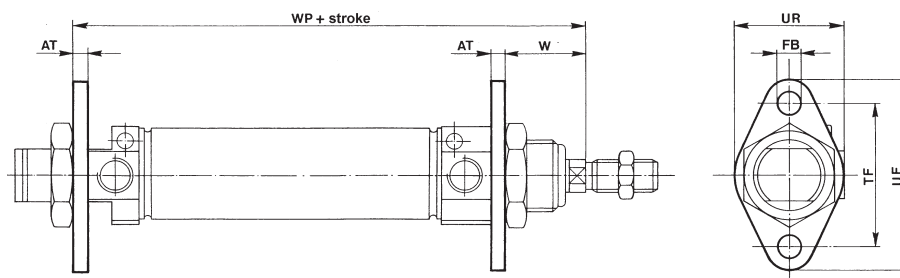
1. FIXING SYSTEMS

Foot bracket in zinc plated steel



Cyl. Ø	AB	AO	AT	AU	NH	R	S	SA	SA1	TR	US	XA	XS	Weight-Mass (g.)	Part no.
	H13				±0,3				Js14				±1,4		
8-10	4.5	5	3	11	16	10	5	68	30	25	35	73	24	20	MF - 13008
12	5.5	6	4	14	20	13	8	78	30	32	42	86	32	40	MF - 13012
16	5.5	6	4	14	20	13	8	84	36	32	42	92	32	40	MF - 13012
20	6.6	8	5	17	25	20	7	102	44	40	54	109	36	90	MF - 13020
25	6.6	8	5	17	25	20	11	103	45	40	54	114	40	90	MF - 13020

Flange in zinc-plated steel



Cyl. Ø	AT	FB	TF	UF	UR	W	WP	Weight-Mass (g.)	Part no.
		H13	Js14			±1.4			
8-10	3	4.5	30	40	25	13	65	12	MF - 12008
12	4	5.5	40	53	30	18	76	25	MF - 12012
16	4	5.5	40	53	30	18	82	25	MF - 12012
20	5	6.6	50	66	40	19	97	49	MF - 12020
25	5	6.6	50	66	40	23	102	49	MF - 12020

Piston Rod nut in zinc-plated steel



Cyl. Ø	KK	KV1	KW1	Part no.
8-10	M4 X 0.7	7	2.8	MF - 16008
12-16	M6 X 1	10	4	MF - 16012
20	M8 X 1.25	13	5	MF - 16020
25	M10 X 1.25	17	6	KF - 16032

End-Cap nut in zinc-plated steel

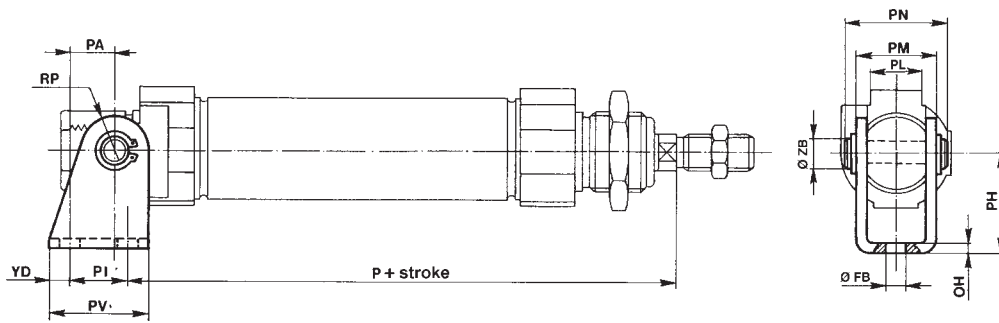


Cyl. Ø	BE	KV	KW	Part no.
8-10	M12 X 1.25	19	7	MF - 20008
12-16	M16 X 1.5	24	8	MF - 20012
20-25	M22 X 1.5	32	10	MF - 20020

Technical modifications keep in reserve !

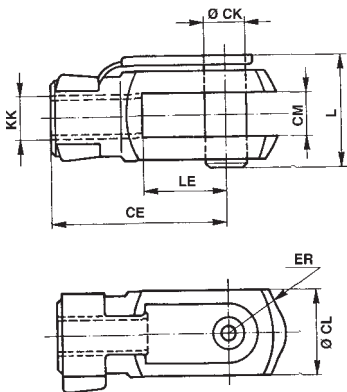
(2007/01)

Rear female hinge in zinc-plated steel with pin and 2 circlips



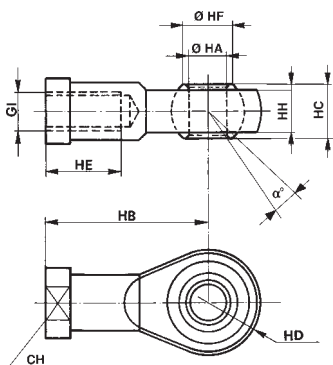
Cyl. Ø	Ø FB	OH	P	PA	PH	PI	PL	PM	PN	PV	RP	YD	ZB	Weight-Mass (g.)	Part no.
	H13					E9							h9		
8-10	4.5	2.5	62.5	11	24	12.5	8.1	13.1	17	20	5.3	3.8	4	19	MF - 21008
12	5.5	3	73	13	27	15	12.1	18.1	23	25	7	5	6	37	MF - 21012
16	5.5	3	80	13	27	15	12.1	18.1	23	25	7	5	6	37	MF - 21012
20	6.6	4	91	16	30	20	16.1	24.1	30	32	10	6	8	80	MF - 21020
25	6.6	4	100	16	30	20	16.1	24.1	30	32	10	6	8	80	MF - 21020

Double hinge for rod in zinc-plated steel complying with ISO 8140 standard (with pin)



Cyl. Ø	CE	CK	CL	CM	ER	KK	L	LE	Weight-Mass (g.)	Part no.
				B12						
8-10	16	4	8	4	5	M4 X 0.7	11	8	7	MF - 15008
12-16	24	6	12	6	7	M6 X 1	16	12	19	MF - 15012
20	32	8	16	8	10	M8 X 1.25	22	16	46	MF - 15020
25	40	10	20	10	12	M10 X 1.25	26	20	90	KF - 15032

Articulated clevis in self-lubricating zinc-plated steel



Cyl. Ø	α°	CH	KK	HA	HB	HC	HD	HE	HF	HH	Weight-Mass (g.)	Part no.
				H7								
8-10	13°	9	M4 X 0.7	5	27	8	9	10	7.7	6	18	MF - 17008
12-16	13°	11	M6 X 1	6	30	9	10	12	9	6.8	26	MF - 17012
20	14°	14	M8 X 1.25	8	36	12	12	16	10.4	9	46	MF - 17020
25	13°	17	M10 X 1.25	10	43	14	14	20	12.9	10.5	76	KF - 17032