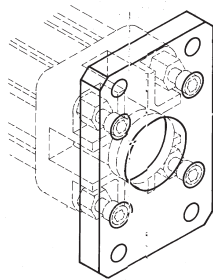


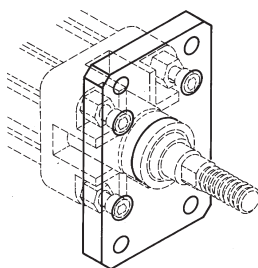
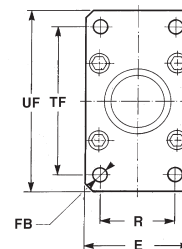
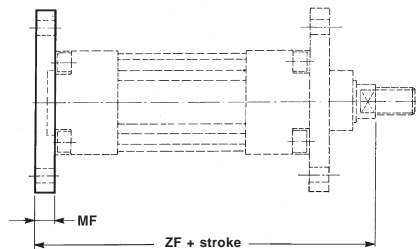
ACCESSORIES FOR CYLINDERS ISO 15552 & ISO/VDMA

1. FIXING SYSTEMS

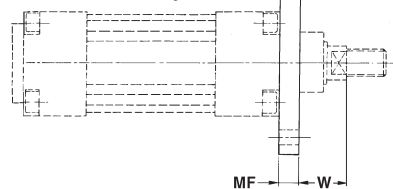
Front/rear flange in zinc plated steel, ISO MF1-MF2 with 4 fixing screws
(VDMA standard upon request)



Rear assembly



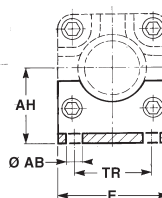
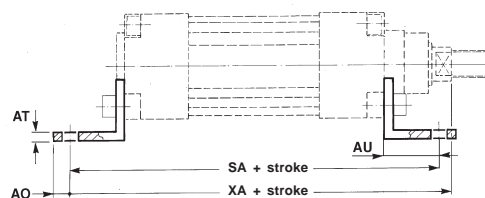
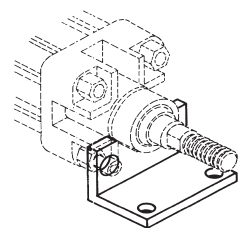
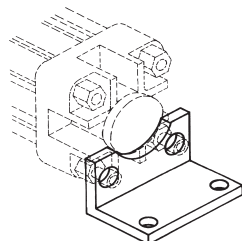
Front assembly



Cyl. Ø	Part number	Mass (kg)
32	KF-12032	0,2
40	KF-12040	0,25
50	KF-12050	0,5
63	KF-12063	0,65
80	KF-12080	1,5
100	KF-12100	2,2
125	KF-12125	4,1
160	KF-12160	7
200	KF-12200	12,4



ISO MS1 angled bracket in zinc plated steel with 2 fixing screws



Cyl. Ø	Part number	Mass (kg)
32	KF-13032	0,07
40	KF-13040	0,09
50	KF-13050	0,2
63	KF-13063	0,2
80	KF-13080	0,4
100	KF-13100	0,6
125	KF-13125	1,2
160	KF-13160	2,4
200	KF-13200	3,4

6431
VDMA
24562

Dimensions of ISO MF1-MF2 flange

Dimensions of ISO MS1 angled bracket

Cyl. Ø	E (max)	FB H13	MF ± 0,2	R JS14	TF JS14	UF (max)	W		ZF		AB H13	AH JS15	AO (max)	AT	AU ± 0,2	E (max)	SA		TR JS14	XA	
							Nom.	Tol.	Nom.	Tol.							Nom.	Tol.		Nom.	Tol.
32	45	7	10	32	64	80	16	±1,6	130	±1,25	7	32	11	4	24	50	142	±1,25	32	144	±1,25
40	52	9	10	36	72	90	20	±1,6	145	±1,25	9*	36	15	4	28	58	161	±1,25	36	163	±1,25
50	65	9	12	45	90	110	25	±1,6	155	±1,25	9*	45	15	5	32	70	170	±1,25	45	175	±1,25
63	75	9	12	50	100	120	25	±2	170	±1,6	9*	50	15	5	32	85	185	±1,6	50	190	±1,6
80	95	12	16	63	126	150	30	±2	190	±1,6	12*	63	20	6	41	105	210	±1,6	63	215	±1,6
100	115	14	16	75	150	170	35	±2	205	±1,6	14*	71	25	6	41	130	220	±1,6	75	230	±1,6
125	140	16	20	90	180	205	45	±2,5	245	±2	16*	90	25	8	45	157	250	±2	90	270	±2
160	180	18	20	115	230	260	60	±2,5	280	±2	18*	115	25	10	60	195	300	±2	115	320	±2
200	220	22	25	135	270	300	70	±2,5	300	±2	22*	135	35	10	70	238	320	±2	135	345	±2

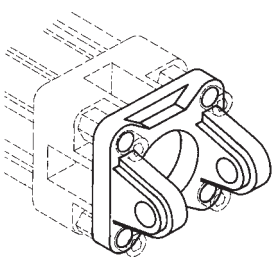
* Non-standard dimension

Technical modifications keep in reserve !

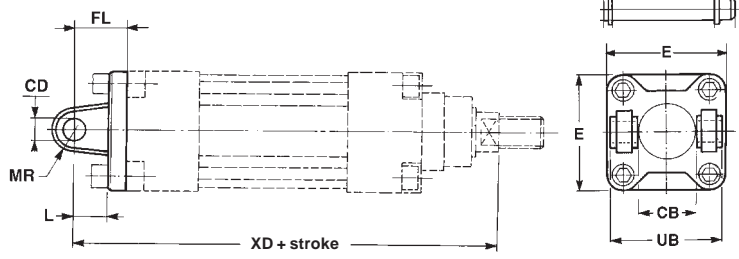
(2017/01)

ISO MP2 (female) and MP4 (male) hinge in die-cast aluminum with 4 fixing screws

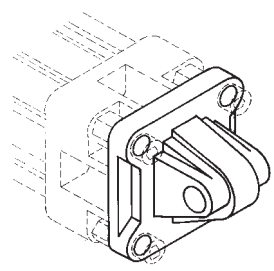
Clevis pin always included (details see page 2.11.04)



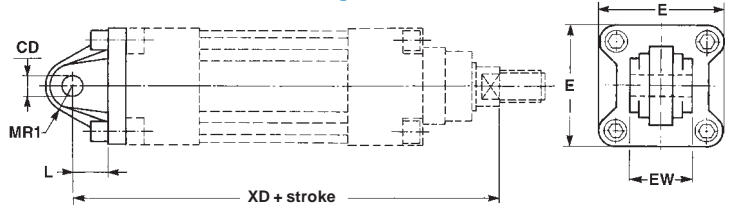
Female rear hinge



Cyl. Ø	Part number	Mass (kg)
32	KF-10032A	0,06
40	KF-10040A	0,08
50	KF-10050A	0,15
63	KF-10063A	0,25
80	KF-10080A	0,36
100	KF-10100A	0,6
125	KF-10125A	1,8
160	KF-10160A	2,4
200	KF-10200A	3,5



Male rear hinge



Cyl. Ø	Part number	Mass (kg)
32	KF-11032	0,08
40	KF-11040	0,1
50	KF-11050	0,17
63	KF-11063	0,25
80	KF-11080	0,42
100	KF-11100	0,66
125	KF-11125	1,5
160	KF-11160	2,3
200	KF-11200	3,5

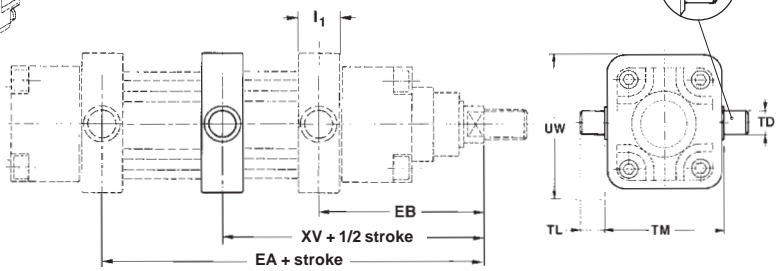
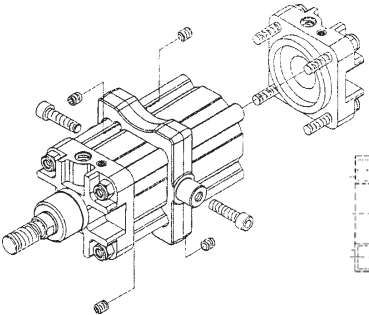
The spheroidal graphite cast iron version is available upon request. Add suffix F to the standard part number.

Available upon request in nodular cast iron. Pin also available.



ISO MT4 centre hinge in cast iron with 4 fixing screws for cylinders K series (bores 160/200 assembled on tie-rods)

6431
VDMA
24562



Cyl. Ø	Part number
32	KF-14032
40	KF-14040
50	KF-14050
63	KF-14063
80	KF-14080
100	KF-14100
125	KF-14125
160	KF-14160
200	KF-14200

Note: the XV dimension positions the hinge on the centre line of the cylinder basic body (end cap to end cap). To assemble the middle chamber for bores 160-200, specify the EB dimension, as hinge is normally supplied already assembled on the cylinder.

Dimensions of hinge ISO MP2 - MP4

Dimensions of hinge ISO MT4

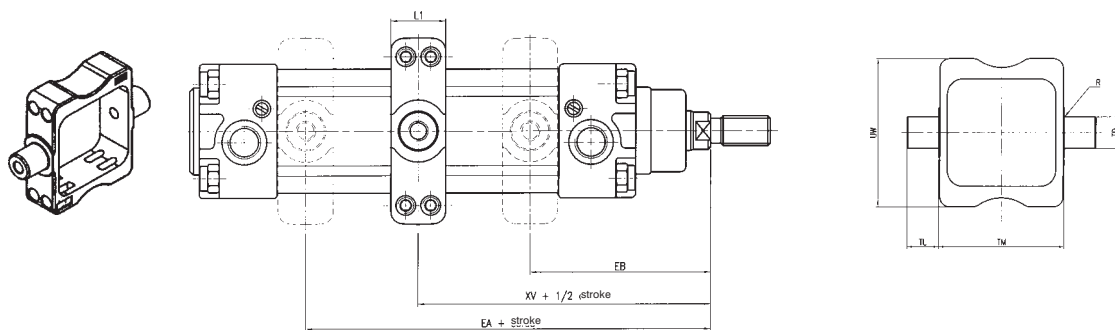
Cyl. Ø	CB H14	CD H9	E (max)	EW Nom.	EW Tol.	FL ± 0,2	L (min)	MR (max)	MR1*	UB h14	XD		EA (max)	EB (min)	I1 (max)	R (max)	TD e9	TL h14	TM h14	UW (max)	XV	
											Nom.	Tol.									Nom.	Tol.
32	26	10	50	26		22	12	11	15*	45	142	±1,25	82	64	22	0,5	12	12	50	65	73	±2
40	28	12	58	28	-0,2 -0,6	25	15	13	18*	52	160	±1,25	93	72	22	0,5	16	16	63	75	82,5	±2
50	32	12	70	32	±0,2	27	15	13	20*	60	170	±1,25	101	79	22	1	16	16	75	95	90	±2
63	40	16	85	40	±0,6	32	20	17	23*	70	190	±1,6	107	88	28	1	20	20	90	105	97,5	±2
80	50	16	105	50	±0,6	36	20	17	27*	90	210	±1,6	123	97	28	1	20	20	110	130	110	±2
100	60	20	130	60		41	25	21	29,5*	110	230	±1,6	131	109	34	1	25	25	132	145	120	±2
125	70	25	157	70		50	30	26	26	130	275	±2	164	126	34	1,5	25	25	160	175	145	±2,5
160	90	30	195	90	-0,5 -1,2	55	35	31	30*	170	315	±2	190	150	40	2,5	32	32	200	190	170	±2,5
200	90	30	232	90	±0,5 ±1,2	60	35	31	30*	170	335	±2	205	165	40	2,5	32	32	250	240	185	±2,5

* Non-standard dimension

Technical modifications keep in reserve !

(2006/01)

**Intermediate hinge ISO MT4
with grub screws for cylinders KD series**



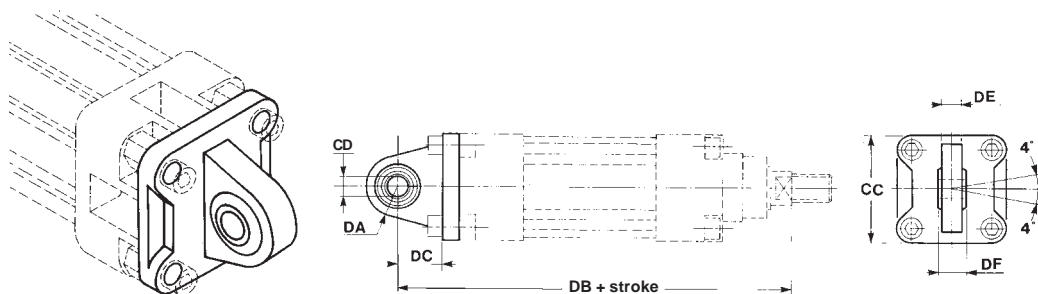
Dimensions hinge ISO MT4 for KD Series

Cyl. Ø	EA (max)	EB (min)	I1 (max)	R (max)	TD (e9)	TL (h14)	TM (h14)	UW (max)	XV	
									Nom.	Toll.
32	82	64	22	0,5	12	12	50	65	73	±2
40	93	72	22	0,5	16	16	63	75	82,5	±2
50	101	79	22	1	16	16	75	95	90	±2
63	107	88	28	1	20	20	90	105	97,5	±2
80	123	97	28	1	20	20	110	130	110	±2
100	131	109	34	1	25	25	132	145	120	±2
125	164	126	34	1,5	25	25	160	175	145	±2,5

Cyl. Ø	Part number	Mass Kg
32	KDF-14032	0,12
40	KDF-14040	0,24
50	KDF-14050	0,32
63	KDF-14063	0,47
80	KDF-14080	0,80
100	KDF-14100	1,50
125	KDF-14125	1,92

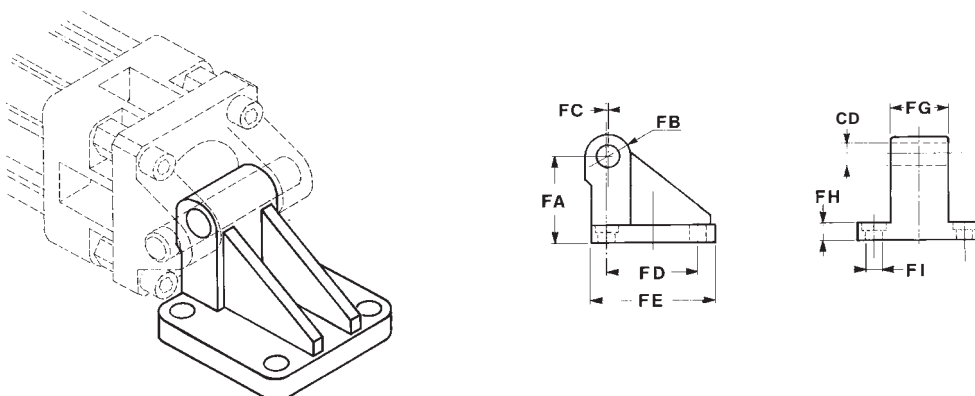
Min. stroke of the cylinder: 10 mm
XV+1/2 stroke: hinge between cylinder end-caps.

Articulated rear hinge in die-cast aluminum with 4 fixing screws



Cyl. Ø	Part number	Mass (kg)
32	KF-11032S	0,1
40	KF-11040S	0,2
50	KF-11050S	0,3
63	KF-11063S	0,35
80	KF-11080S	1,6
100	KF-11100S	0,7

90° hinge in die-cast aluminum with 4 fixing screws

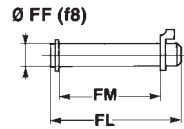
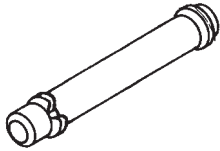


Cyl. Ø	Part number	Mass (kg)
32	KF-19032	0,09
40	KF-19040	0,12
50	KF-19050	0,20
63	KF-19063	0,32
80	KF-19080	0,58
100	KF-19100	0,91

Technical modifications keep in reserve !

(2004/01)

Clevis pin with circlips (zinc plated)



Clevis pin always included with KF-100..A
(details see page 2.11.02)
NOT separately available

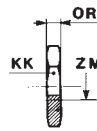
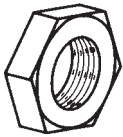
Dimension of articulated male hinge

Dimension of 90° counter-hinge

Dimension of pin

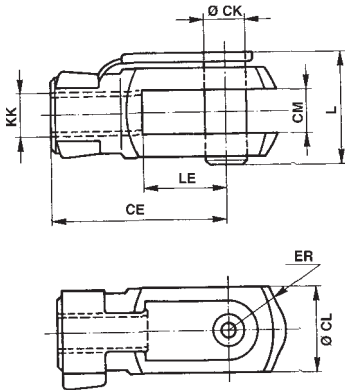
Cyl. Ø	CC	CD H9	DA	DB	DC	DE	DF	CD H9	FA	FB	FC	FD	FE	FG	FH	FI	FF f8	FL	FM
32	48	10	15	142	14	10,5	14	10	32	10	1,2	32,5	49	26	10	6,4	10	53	46
40	54	12	18	160	16,5	12	16	12	36	12	2,6	38	55	28	10	6,4	12	61,3	53
50	65	12	20	170	17,5	12	16	12	45	12	0,3	46,5	67	32	12	8,4	12	69	61
63	75	16	21	190	21,5	15	21	16	50	16	3,3	56,5	77	40	12	8,4	16	80,5	71
80	95	16	27	210	24	15	21	16	63	16	1,0	72	97	50	14	10,5	16	100,5	91
100	115	20	29,5	230	28	18	25	20	73	20	2,5	89	115	60	16	10,5	20	122,5	111
125																	25	140	131
160																	30	205	171
200																	30	205	171

Piston rod locknut (zinc plated)



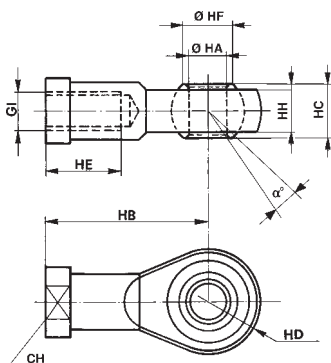
Cyl. Ø	ZM	KK	OR	Part number
32	M10 x 1,25	17	6	KF - 16032
40	M12 x 1,25	19	7	KF - 16040
50	M16 x 1,5	24	8	KF - 16050
63	M16 x 1,5	24	8	
80	M20 x 1,5	30	9	KF - 16080
100	M20 x 1,5	30	9	
125	M27 x 2	41	12	KF - 16125
160	M36 x 2	55	14	KF - 16160
200	M36 x 2	55	14	

Double hinge for rod in zinc-plated steel complying with ISO 8140 standard (with pin)



Cyl. Ø	CE	CK	CL	CM	ER	KK	L	LE	Weight-Mass (g.)	Part no.
				B12						
32	40	10	20	10	12	M10 X 1.25	26	20	90	KF - 15032
40	48	12	24	12	19	M12 X 1.25	32	24	150	KF - 15040
50-63	64	16	32	16	25	M16 X 1.5	39	32	340	KF - 15050
80-100	80	20	40	20	32	M20 X 1.5	50	40	670	KF - 15080
125	110	30	55	30	45	M27 X 2	65	54	1790	KF - 15125
160-200	144	35	70	35	57	M36 X 2	81	72	3870	KF - 15160

Articulated clevis in self-lubricating zinc-plated steel



Cyl. Ø	α°	CH	KK	HA	HB	HC	HD	HE	HF	Weight-Mass (g.)	Part no.
				H7							
32	13°	17	M10 X 1.25	10	43	14	14	20	12.9	76	KF - 17032
40	13°	19	M12 X 1.25	12	50	16	16	22	15.4	110	KF - 17040
50-63	15°	22	M16 X 1.5	16	64	21	21	28	19.3	220	KF - 17050
80-100	14°	30	M20 X 1.5	20	77	25	25	33	24.3	400	KF - 17080
125	15°	41	M27 X 2	30	110	37	35	51	34.8	1150	KF - 17125
160-200	16°	50	M36 X 2	35	125	43	40	56	37.7	1600	KF - 17160