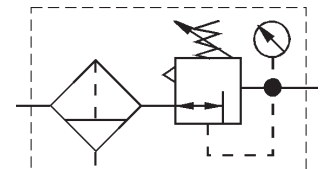


## 2. MULTI-FIX FILTER-REGULATORS

ITEM	C00	C01	C11	C12	C33	C34	C54	C55	<h3>Application information</h3> <ul style="list-style-type: none"> <li>- easy block assembly for components to be connected in series</li> <li>- interlocking of several individual devices requires coupling kit(s) KP00, KP11, KP33 or KP55</li> <li>- interlocking of several individual devices with narrow distributor Z11, Z33 or Z55 requires coupling kit(s) KP11Z, KP33Z or KP55Z</li> <li>- handweel can be locked by depressing</li> <li>- filter transmittance according to ISO 4003, glass bead test</li> <li>- field installation of bowl guard without tools</li> </ul>
Port size	G 1/8"	G 1/4"	G 1/4"	G 3/8"	G 1/2"	G 3/4"	G 3/4"	G 1"	
Description	Air line regulator with diaphragm and relieving feature, centrifugal force principle with sintered filter						Idem... + pilot controlled		
Mounting	Vertically, drain plug at bottom								
Supply pressure	Pe max. 16 bar (* see Drain Model), 12 bar with KP00 Pe min. 1,5 bar with semi-automatic and auto drain								
Reduced pressure	Pa 0,5-10 bar Pa 0,1-3 / 0,2-6 bar		Standard : Pa 0,5-10 bar Optional : Pa 0,1-3 bar / 0,2-6 bar / 0,5-16 bar						
Filter element	Standard : 5 µm						Standard : 40 µm Opt : 8 µm		
Temp.	Max. 60°C (other temperature ranges upon request)								
Air cons.							0,5 l/min (max.)		
Bowl volume	Max. 16 cm <sup>3</sup>		Max. 25 cm <sup>3</sup>		Max. 50 cm <sup>3</sup>		Max. 125 cm <sup>3</sup>		
Drain model	Standard: semi-automatic drain Optional: auto drain AM10 (Pe max.16 bar)				Optional: auto drain AM5 (Pe max.12 bar)				
Fixing	Panel mount (DR0034) Mounting bracket (MW30)		Panel mount (DR0034) Mounting bracket (MW30) 2 holes in the body		Panel mount (C33-42) Mounting bracket (MW50) 2 holes in the body		Mounting bracket (ZW55) In pipe line		
Weight	0,280 kg  0,385 kg with keylock		0,477 kg  (0,392 kg without gauge) 0,592 kg with keylock		1,076 kg  (0,991 kg without gauge) 1,185 kg with keylock		2,150 kg  (2,050 kg without gauge) 2,260 kg with keylock		



### ordering indication

C. ** *	
type	*
<b>1</b> port size	<b>2</b> option

#### Port size

00 G 1/8"	11 G 1/4"	33 G 1/2"	54 G 3/4"
01 G 1/4"	12 G 3/8"	34 G 3/4"	55 G 1"

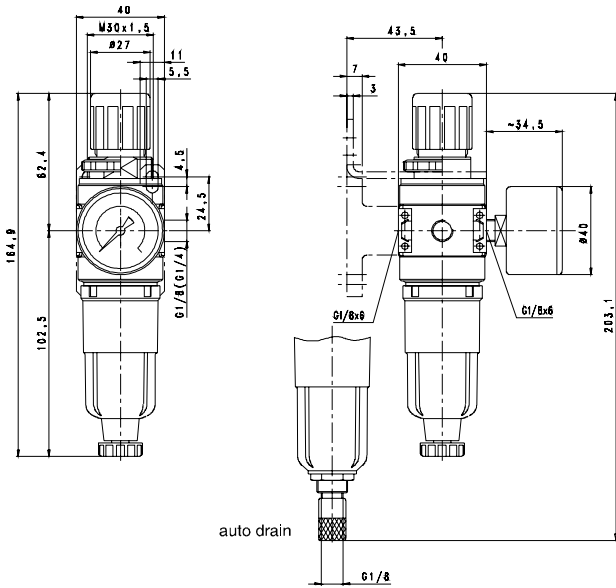
#### Options

<b>K</b>	keylock
<b>HA</b>	semi-automatic drain
<b>AM</b>	auto drain
<b>H</b>	metal bowl with sight glass

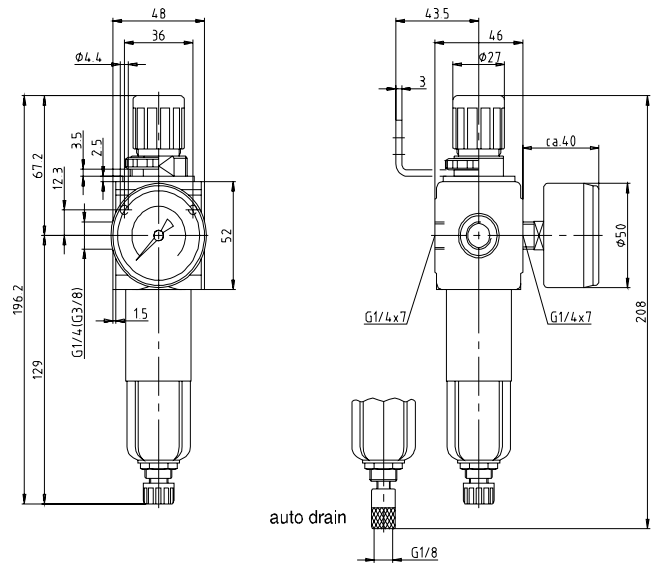
example: **C11HHA**

Gauge Not Included

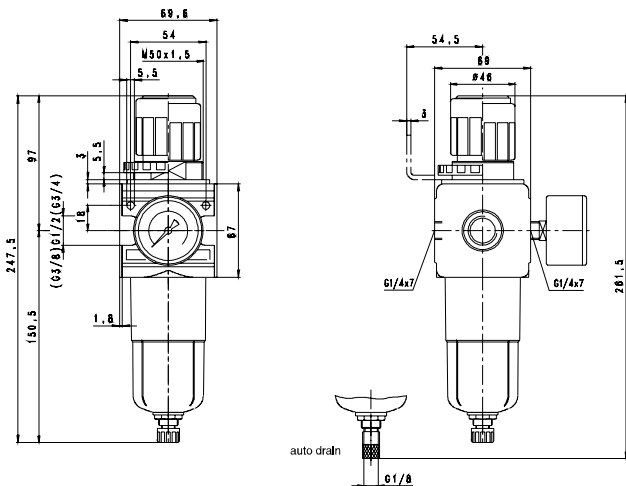
### Dimensions (mm) C00, C01



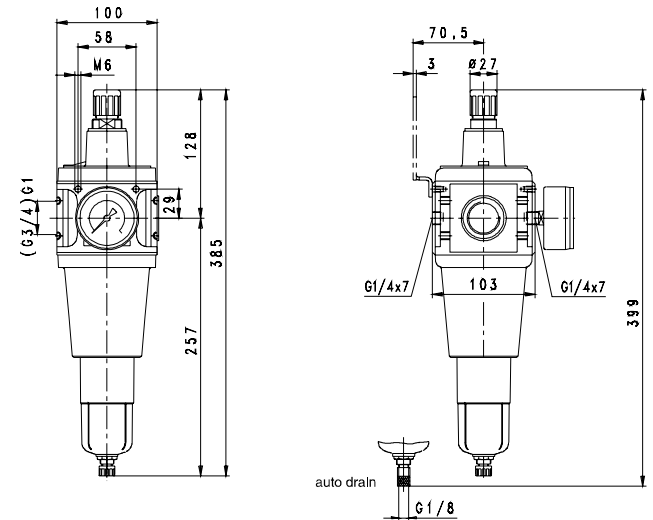
### Dimensions (mm) C11, C12



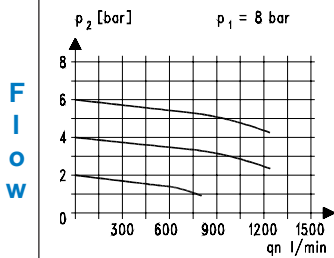
### Dimensions (mm) C33, C34



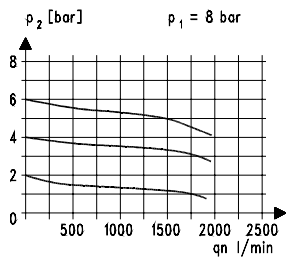
### Dimensions (mm) C54, C55



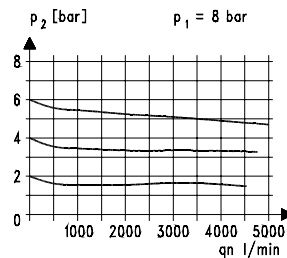
#### C00, C01



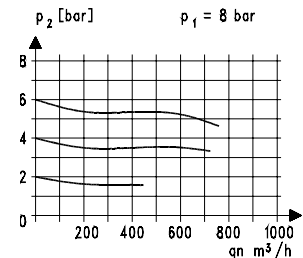
#### C11, C12



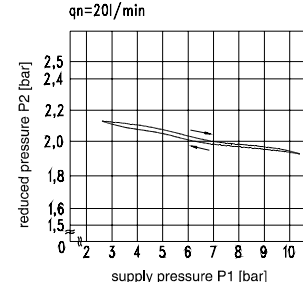
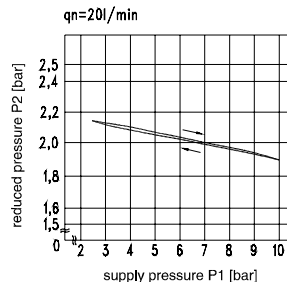
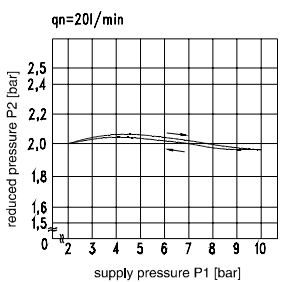
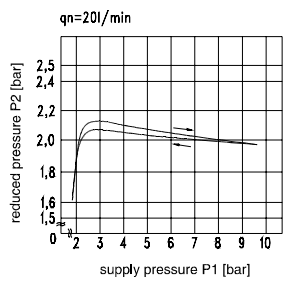
#### C33, C34



#### C54, C55



**Pressure**



Technical modifications keep in reserve !

(2006/10)