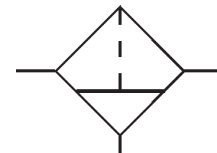


3. MULTI-FIX FILTERS

ITEM	F00	F01	F11	F12	F33	F34	F54	F55	Application information
Port size	G 1/8"	G 1/4"	G 1/4"	G 3/8"	G 1/2"	G 3/4"	G 3/4"	G 1"	
Description	Centrifugal force principle with sintered filter								<ul style="list-style-type: none"> - easy block assembly for components to be connected in series - interlocking of several individual devices requires coupling kit(s) KP00, KP11, KP33 or KP55 - interlocking of several individual devices with narrow distributor Z11, Z33 or Z55 requires coupling kit(s) KP11Z, KP33Z or KP55Z - filter transmittance according to ISO 4003, glass bead test - field installation of bowl guard without tools
Mounting	Vertically, drain plug at bottom								
Supply pressure	Pe max. 16 bar (* see Drain Model), 12 bar with KP00, 20 bar with metal bowl Pe min. 1,5 bar with semi-automatic and auto drain								
Filter element	Standard : 5 µm				Standard : 40 µm Opt : 8 µm				
Temp.	Max. 60°C (other temperature ranges upon request)								
Bowl volume	Max. 16 cm ³	Max. 25 cm ³	Max. 25 cm ³	Max. 50 cm ³	Max. 50 cm ³	Max. 125 cm ³	Max. 125 cm ³	Max. 125 cm ³	
Drain model	Standard: semi-automatic drain Optional: auto drain AM10 (Pe max.16 bar)				Optional: auto drain AM5 (Pe max.12 bar)				
Fixing	In pipe line	Mountingbracket (ZW11) 2 holes in the body	Mountingbracket (ZW33) 2 holes in the body	Mountingbracket (ZW33) 2 holes in the body	Mountingbracket (ZW33) 2 holes in the body	Mountingbracket (ZW55) In pipe line	Mountingbracket (ZW55) In pipe line	Mountingbracket (ZW55) In pipe line	
Weight	0,210 kg	0,275 kg	0,275 kg	0,798 kg	0,798 kg	1,650 kg	1,650 kg	1,650 kg	



ordering indication

F. ** *	
type	
1 port size	2 option

Port size

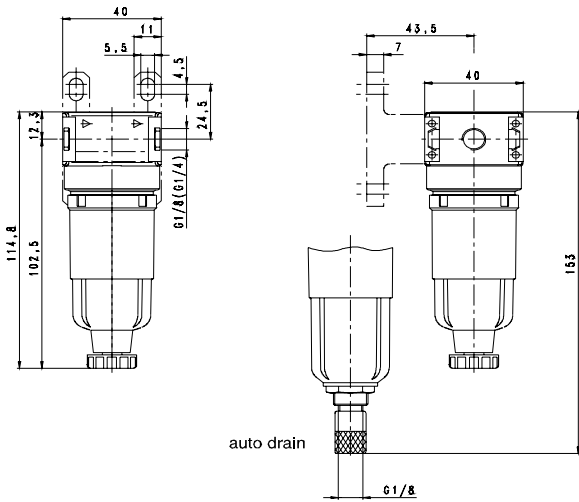
00 G 1/8"	11 G 1/4"	33 G 1/2"	54 G 3/4"
01 G 1/4"	12 G 3/8"	34 G 3/4"	55 G 1"

Options

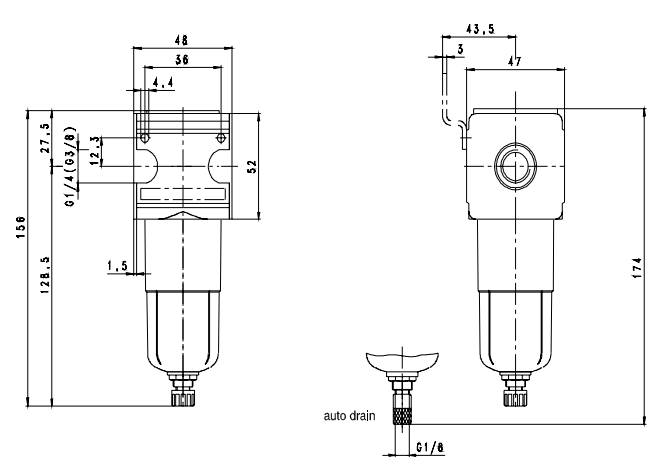
HA	semi-automatic drain
AM	auto drain
H	metal bowl with sight glass

example: **F11HHA**

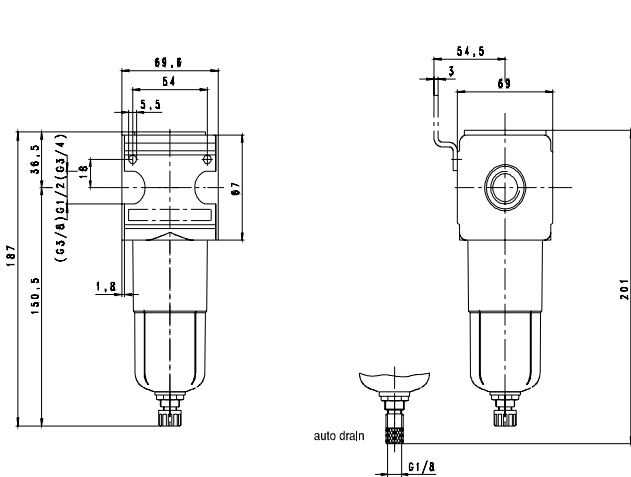
Dimensions (mm) F00, F01



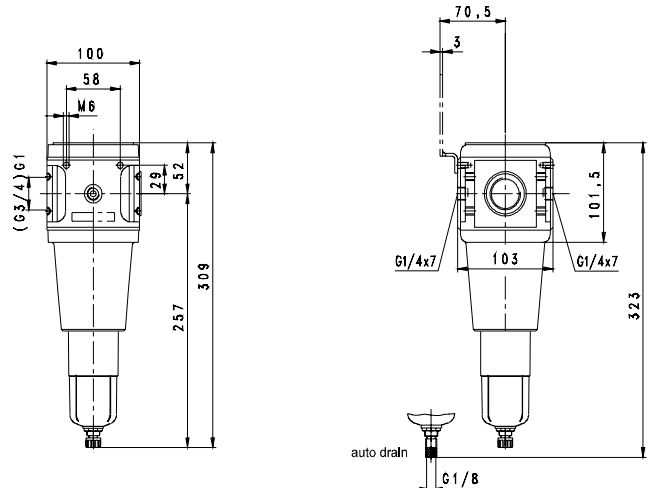
Dimensions (mm) F11, F12



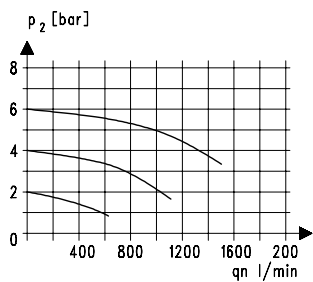
Dimensions (mm) F33, F34



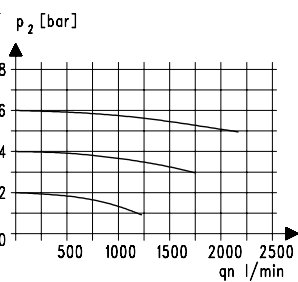
Dimensions (mm) F54, F55



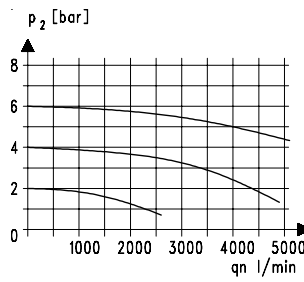
Flow characteristics F00, F01



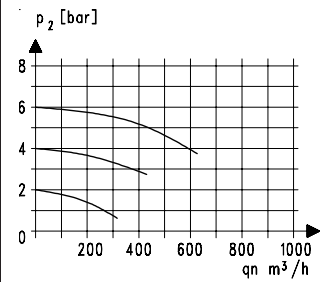
Flow characteristics F11, F12



Flow characteristics F33, F34



Flow characteristics F54, F55



Technical modifications keep in reserve !

(2006/10)