

4. MULTI-FIX FINE-FILTERS

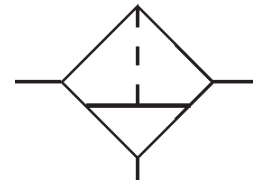
ITEM	FX11	FV33	FX33	FA33	<h3>Application information</h3> <ul style="list-style-type: none"> - easy block assembly for components to be connected in series - interlocking of several individual devices requires coupling kit(s) KP11, KP33 or KP55 - interlocking of several individual devices with narrow distributor Z11, Z33 or Z55 requires coupling kit(s) KP11Z, KP33Z or KP55Z - filter transmittance according to ISO 4003, glass bead test - field installation of bowl guard without tools
Port size	G 1/4"	G 1/2"	G 1/2"	G 1/2"	
Description	Fine-filter 0,01µm	Pre-filter 0,3µm	Fine-filter 0,01µm	Activated carbon filter	
Mounting	Vertically, 2 holes in the body, drain plug at bottom				
Supply pressure	Pe max. 16 bar, Pe min. 0,5 bar, Pe min. 1,5 bar with auto drain	Pe max. 16 bar			
Particle separation	> 0,01µm 99,999 %	> 0,3µm 99,99 %	> 0,01µm 99,999 %		
Residual oil concent	0,01 mg/m ³		0,01mg/m ³	0,005 mg/m ³	
Temp.	Max. 50°C (other temperature ranges upon request)				
Nominal discharge	280 l/min. (Pe 7 bar, delta P = 0,09 bar) *	Qn 500 l/m ¹)	Qn 720 l/m ²)	Qn 1500 l/m ³)	
Bowl volume	Max. 10 cm ³	Max. 25 cm ³			
Drain model	Standard: semi-automatic drain Opt.: auto drain (10b)		Optional: auto drain (Pe max.12 bar)		
Fixing	Mnt.bracket ZW11	Mounting bracket ZW33			
Weight	0,280 kg	0,800 kg			
Replacement Filter	8.1311.10.000 Filter Element	5.1333.16.000 Filter Element	8.1333.08.000 Filter Element	8.1333.11.000 Filter Element	

*) Reduction factor "F" for several operating pressures

1) Delta P=0,02 bar 2) Delta P=0,09 bar 3) Delta P=0,2 bar

$Q=Qn.f$

Pü (bar)	1	2	3	4	5	6	7	8	9	10	11	12	13	14	15	16
F	0,46	0,6	0,68	0,77	0,85	0,93	1	1,07	1,11	1,17	1,23	1,28	1,32	1,36	1,4	1,46



ordering indication

FX. 11
 FV.
 FX.
 FA. 33 *

type

1 port size **2** option

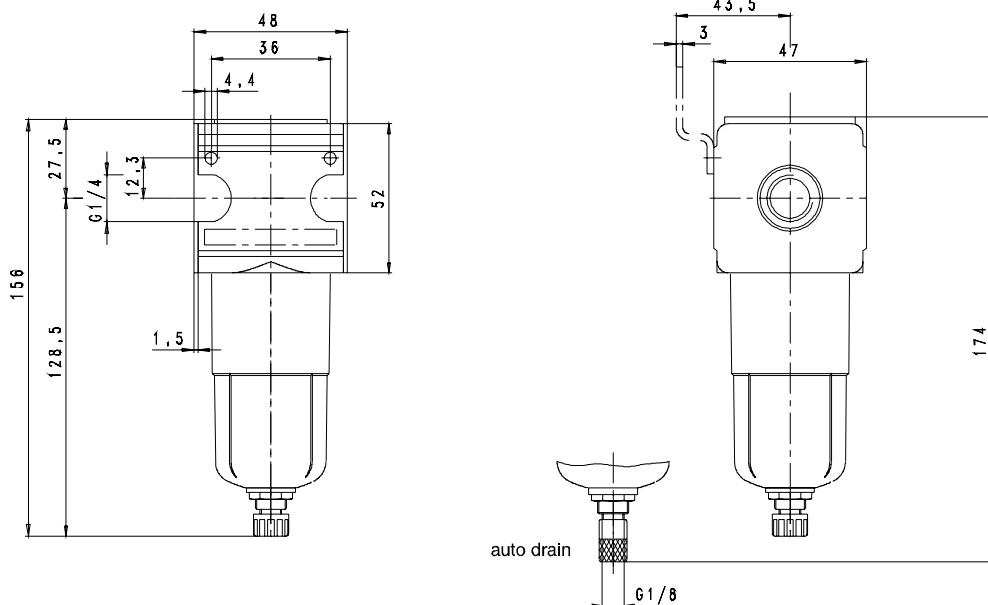
Port size
 11 G 1/4" 33 G 1/2"

Options

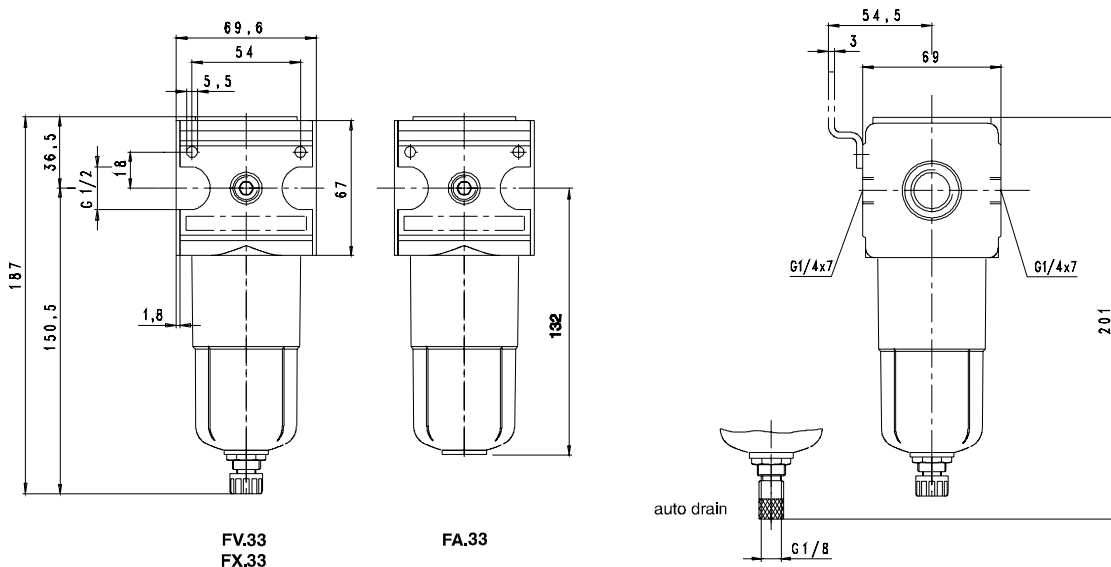
HA semi-automatic drain
AM auto drain
H metal bowl with sight glass
G differential gauge

example: **FX11HA**

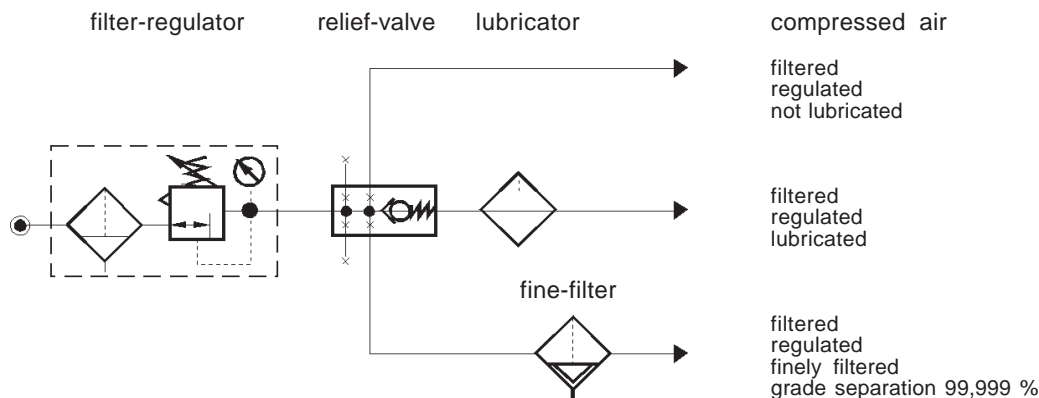
Dimensions (mm) FX11



Dimensions (mm) FV33, FX33, FA33



Extendible application FX11



Pre-filter FV33

High efficiency filter designed for the removal of oil, water and dirt from the compressed air system. Pore size 3 µm. Suitable applications : chemical industry, paint industry, pharmaceutical industry.

Fine-filter FX33

For special filter requirements to exacting standards. Pore size 0,01 µm. Suitable applications : food industry, pharmaceutical industry, paint industry.

Activated carbon filter FA33

For removal of oil vapour and other hydrocarbons essential for certain industries eg. food, chemical and cosmetic manufacturing.

Technical modifications keep in reserve !

(2002/05)