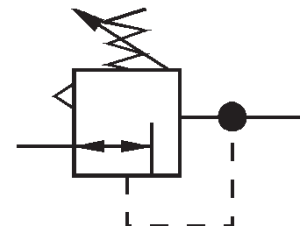


## 5. MULTI-FIX REGULATORS

ITEM	R00	R01	R11	R12	R33	R34	R54	R55	<h3>Application information</h3> <ul style="list-style-type: none"> <li>- easy block assembly for components to be connected in series</li> <li>- interlocking of several individual devices requires coupling kit(s) KP.00, KP.11, KP.33 or KP.55</li> <li>- interlocking of several individual devices with narrow distributor Z.11, Z.33 or Z.55 requires coupling kit(s) KP.11 Z, KP.33 Z or KP.55 Z</li> <li>- handweel can be locked by depressing</li> </ul>
Port size	G 1/8"	G 1/4"	G 1/4"	G 3/8"	G 1/2"	G 3/4"	G 3/4"	G 1"	
Description	Air line regulator with diaphragm and relieving feature						Idem... + pilot controlled		
Mounting	Arbitrary								
Supply pressure	Pe max. 16 bar, 12 bar with KP00		Pe max. 16 bar		Pe max. 16 bar		Pe max. 20 bar		
Reduced pressure	Pa 0,5-10 bar Pa 0,1-3 / 0,2-6 bar		Standard : Pa 0,5-10 bar Optional : Pa 0,1-3 bar / 0,2-6 bar / 0,5-16 bar						
Temp.	Max. 60°C (other temperature ranges upon request)								
Air cons.							0,5 l/min (max.)		
Fixing	Panelmount (DR0034) Mountingbracket (MW30)		Panelmount (DR0034) Mountingbracket (MW30) 2 holes in the body		Panelmount (C33-42) Mountingbracket (MW50) 2 holes in the body		Mountingbracket (ZW55) In pipe line		
Weight	0,260 kg  0,365 kg with keylock		0,415 kg (0,330kg without gauge) 0,530kg with keylock		0,935 kg (0,850kg without gauge) 1,044 kg with keylock		1,554 kg (1,460kg without gauge) 1,664 kg with keylock		



### ordering indication

type	R. ** *	*
<b>1</b> port size		<b>2</b> option

#### Port size

00 G 1/8"	11 G 1/4"	33 G 1/2"	54 G 3/4"
01 G 1/4"	12 G 3/8"	34 G 3/4"	55 G 1"

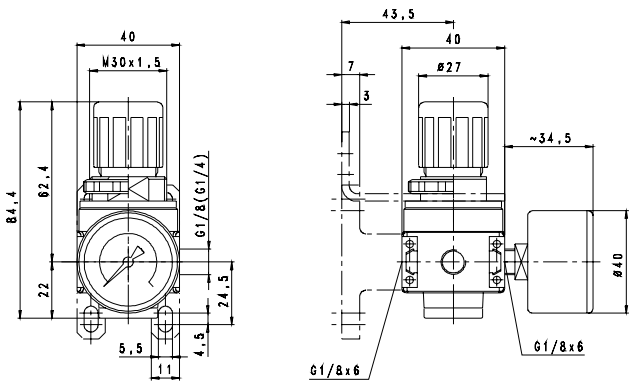
#### Options

K keylock

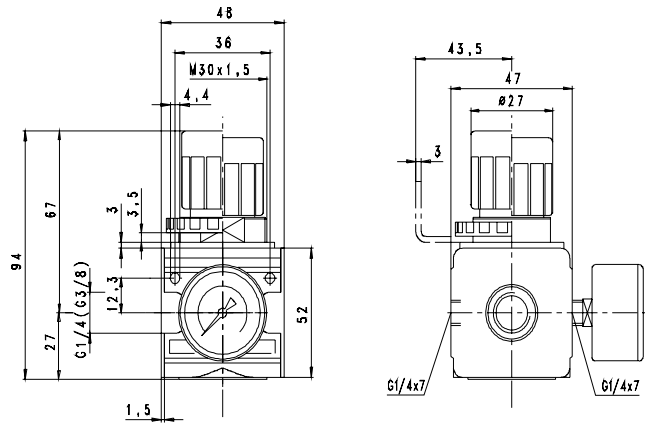
example: **R11K**

Gauge Not Included

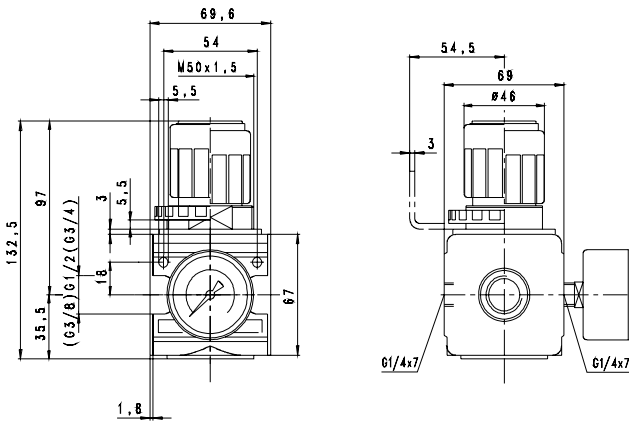
### Dimensions (mm) R00, R01



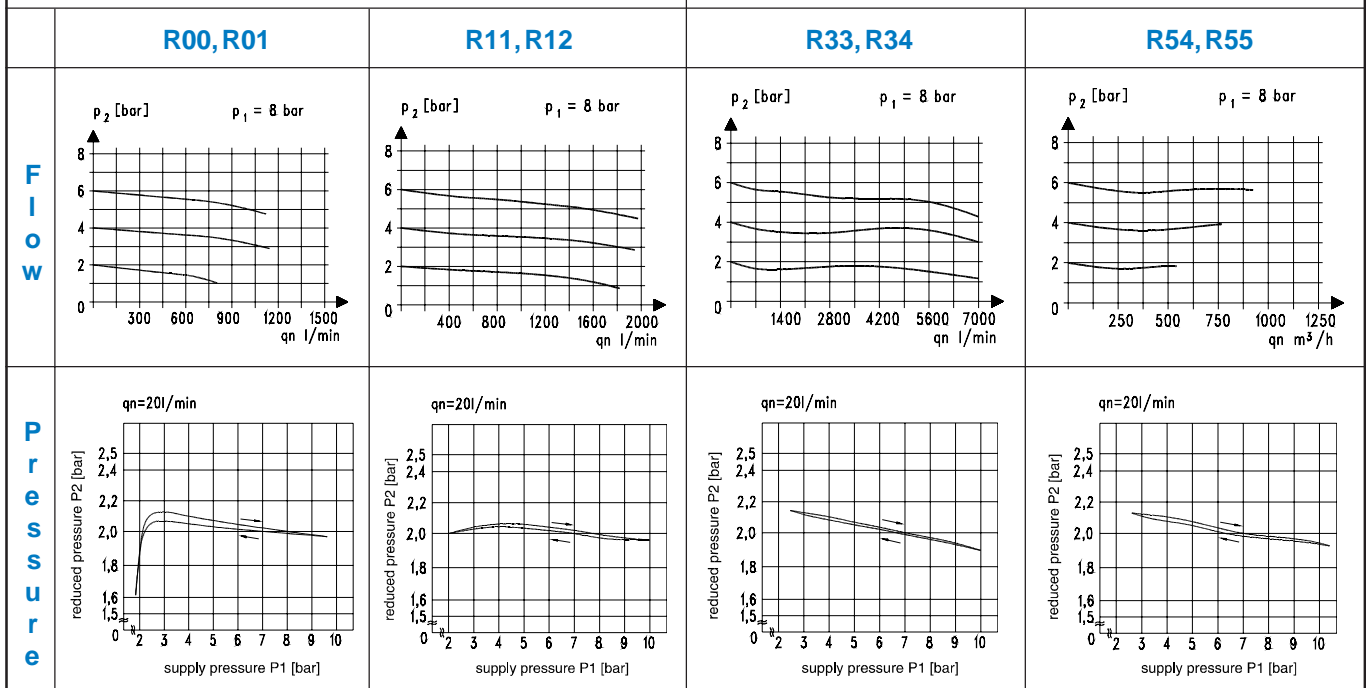
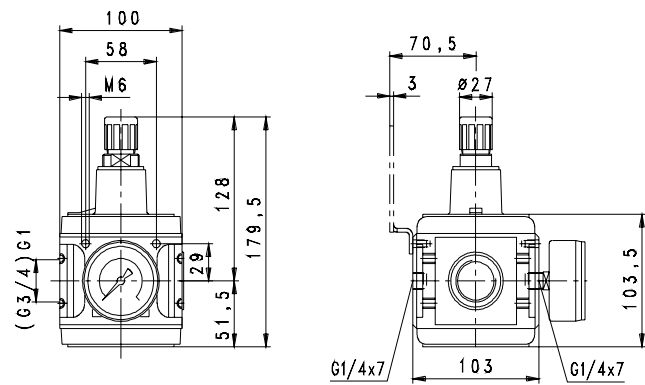
### Dimensions (mm) R11, R12



### Dimensions (mm) R33, R34



### Dimensions (mm) R54, R55



Technical modifications keep in reserve !

(2006/10)