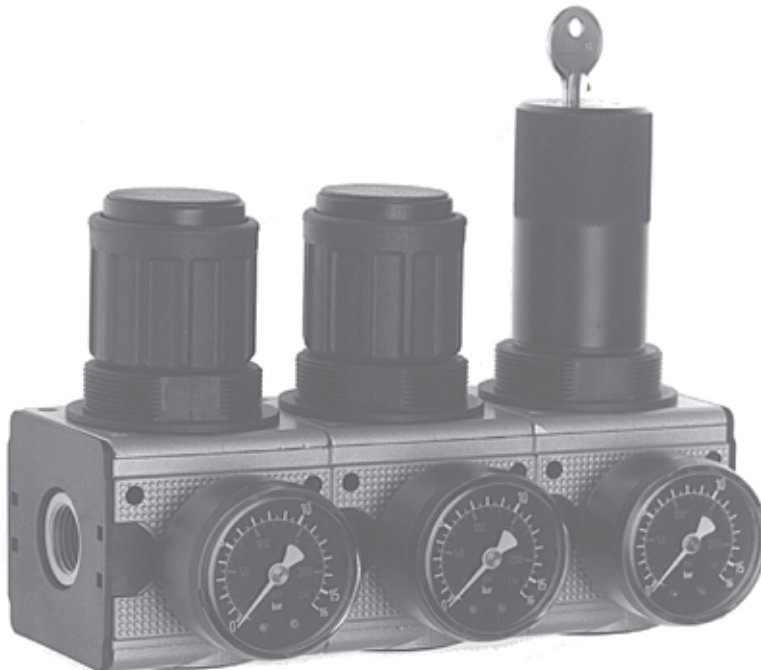


## 6. MULTI-FIX MANIFOLD REGULATORS with pressure supply on both sides

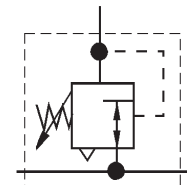
ITEM	RB11	RB33	Application information
Port size	G 1/4"	G 1/2"	
Description	Air line regulator with diaphragm and relieving feature		<ul style="list-style-type: none"> <li>- easy block assembly for components to be connected in series</li> <li>- interlocking of several individual devices requires coupling kit(s) KP11 or KP33</li> <li>- interlocking of several individual devices with narrow distributor Z11 or Z33 requires coupling kit(s) KP11Z or KP33Z</li> <li>- handweel can be locked by depressing</li> <li>- at long interlinkages is additional pressure supply with intermediate mounting of distributor T11 and Z11 or T33 and Z33 possible</li> </ul>
Mounting	Arbitrary		
Supply pressure	Pe max. 16 bar		
Reduced pressure	Standard : Pa 0,5-10 bar Optional : Pa 0,1-3 bar / 0,2-6 bar / 0,5-16 bar		
Temp.	Max. 60°C (other temperature ranges upon request)		
Fixing	Panelmount (DR0034) Mounting bracket (MW30) 2 holes in the body	Panel mount (C33-42) Mounting bracket (MW50) 2 holes in the body	
Weight	0,415 kg (0,330 kg without gauge) 0,530 kg type with keylock	0,935 kg (0,850 kg without gauge) 1,044 kg type with keylock	

Technical modifications keep in reserve !

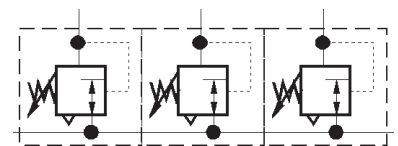
(2004/01)



Gauge Not Included



example of application



### ordering indication

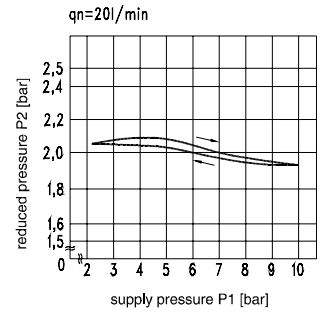
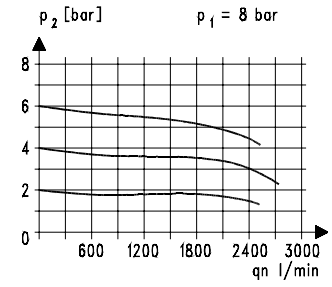
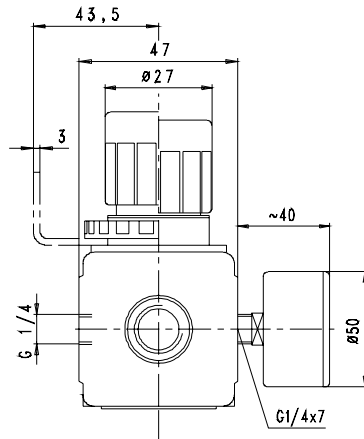
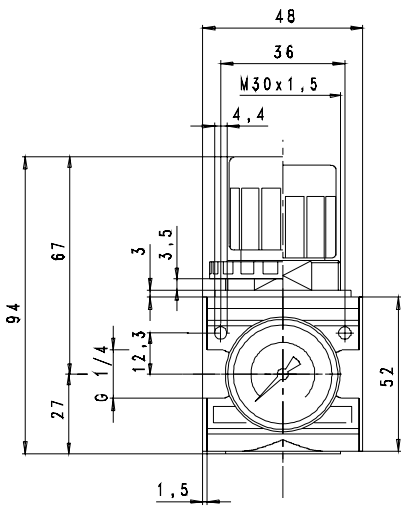
RB. ** *	
type	
<b>1</b> port size	<b>2</b> option

Port size  
11 G 1/4" | 33 G 1/2" |

Options  
K keylock

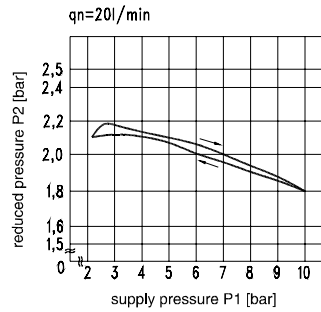
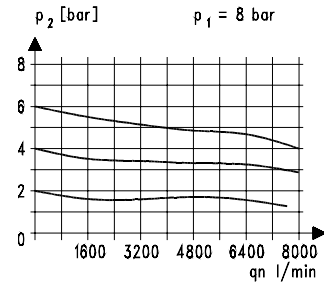
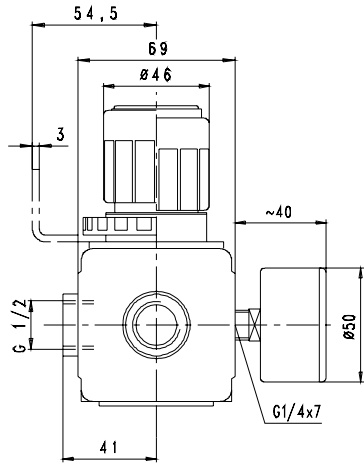
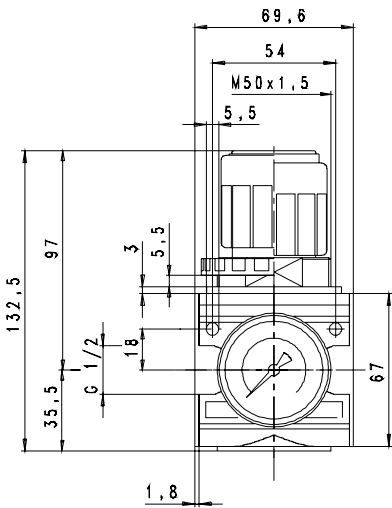
example: **RB11K**

### Dimensions (mm) RB11



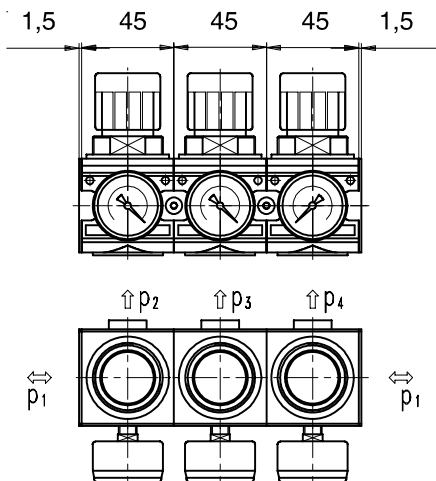
Flow Pressure

### Dimensions (mm) RB33

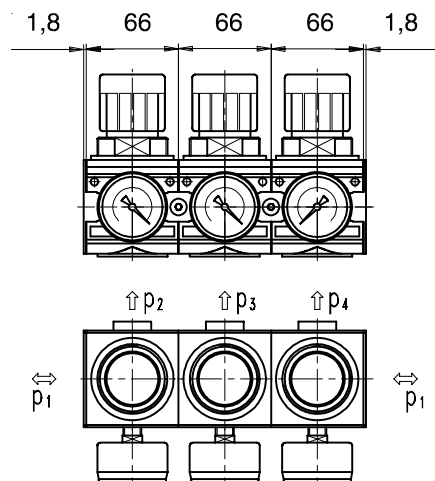


Flow Pressure

### Various application RB11



### Various application RB33



Technical modifications keep in reserve !

(2001/10)