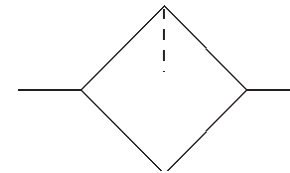
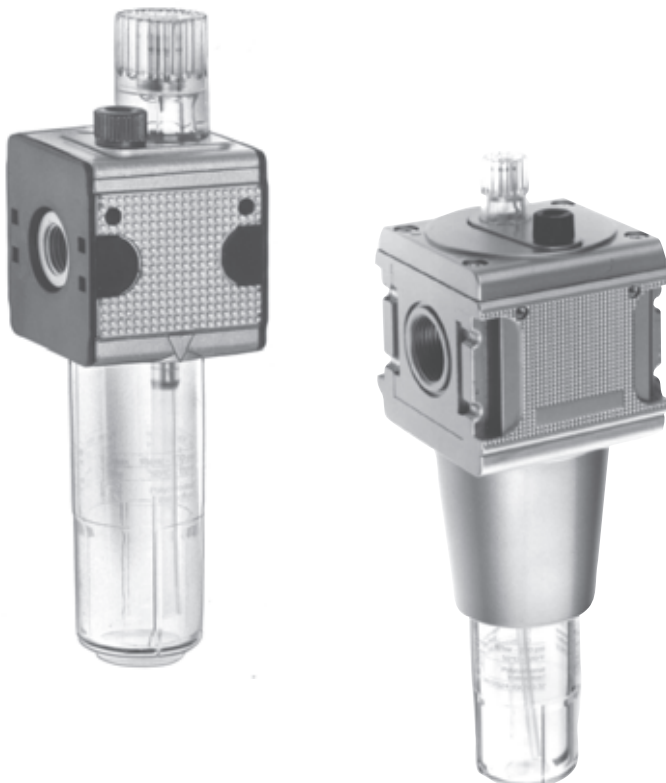


## 7. MULTI-FIX LUBRICATORS

ITEM	L00	L01	L11	L12	L33	L34	L54	L55	<h3>Application information</h3> <ul style="list-style-type: none"> <li>- easy block assembly for components to be connected in series</li> <li>- interlocking of several individual devices requires coupling kit(s) KP.00, KP.11, KP.33 or KP.55</li> <li>- interlocking of several individual devices with narrow distributor Z.11, Z.33 or Z.55 requires coupling kit(s) KP.11 Z, KP.33 Z or KP.55 Z</li> <li>- oil fill in is possible under pressure (not possible for L00 and L01)</li> <li>- field installation of bowl guard without tools</li> </ul>
Port size	G 1/8"	G 1/4"	G 1/4"	G 3/8"	G 1/2"	G 3/4"	G 3/4"	G 1"	
Description	Proportional lubricator								
Mounting	Vertically								
Supply pressure	Pe max. 16 bar, 20 bar with metal bowl, 12 bar with KP00								
Temp.	Max. 50°C (other temperature ranges upon request)								
Bowl volume	Max. 35 cm <sup>3</sup>		Max. 50 cm <sup>3</sup>		Max. 125 cm <sup>3</sup>		Max. 450 cm <sup>3</sup>		
Oil dosage rate when qv=1000l/m	L00/L01 : 10-20 drops/min. (determining factor) Other L. : 1-2 drops/min. (determining factor)								
Kind of oil	HL 25 standardized to DIN 51524-ISO VG 32								
Fixing	In pipe line	Mountingbracket (ZW11) 2 holes in the body		Mountingbracket (ZW33) 2 holes in the body		Mountingbracket (ZW55) In pipe line			
Weight	0,230 kg		0,327 kg		0,684 kg		1,500 kg		

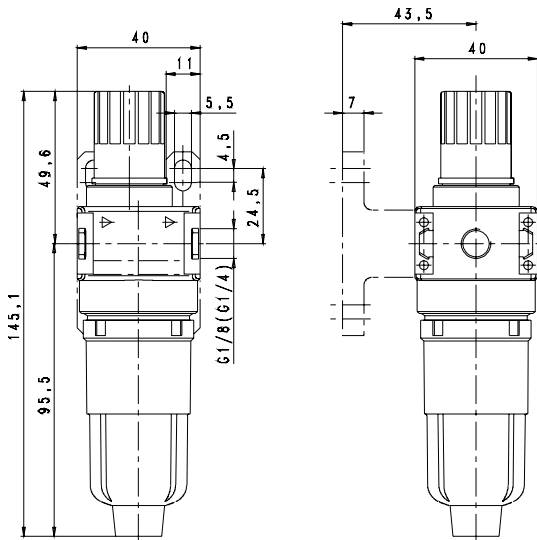


ordering indication			
type	L	**	*
<b>1</b> port size			<b>2</b> option
<b>Port size</b>			
00 G 1/8"	11 G 1/4"	33 G 1/2"	54 G 3/4"
01 G 1/4"	12 G 3/8"	34 G 3/4"	55 G 1"
<b>Options</b>			
H	metal bowl with sight glass		
N	electrical level controle		
example: <b>L11H</b>			

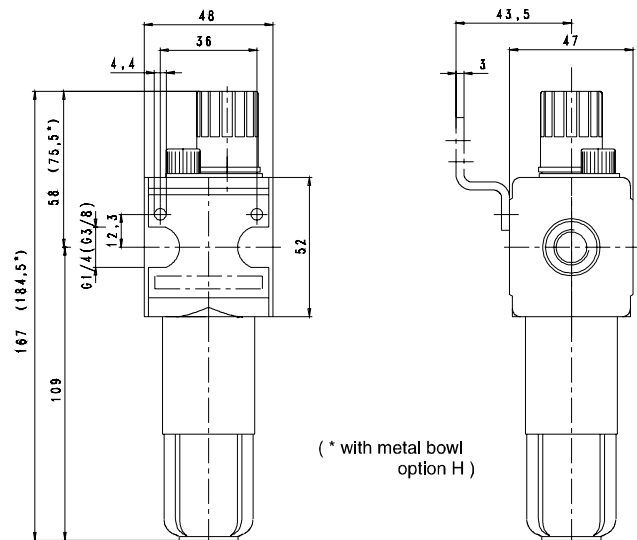
Technical modifications keep in reserve !

(2006/10)

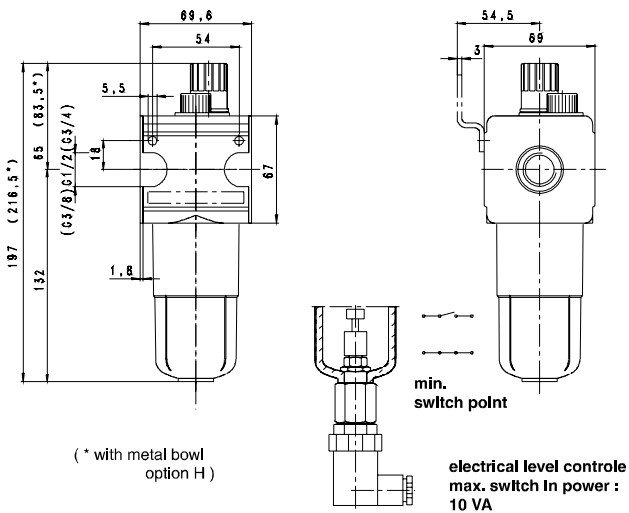
### Dimensions (mm) L00, L01



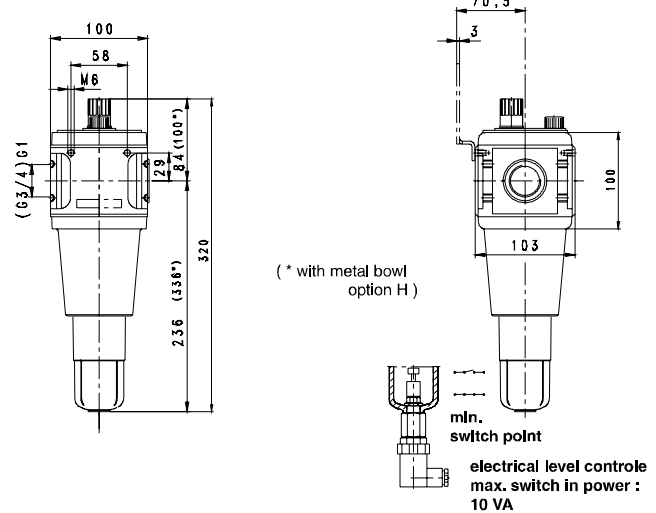
### Dimensions (mm) L11, L12



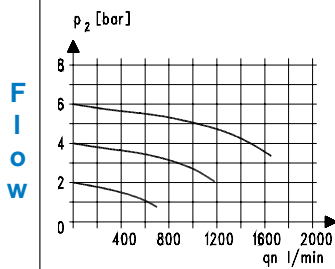
### Dimensions (mm) L33, L34



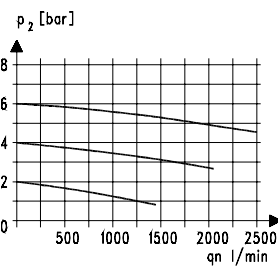
### Dimensions (mm) L54, L55



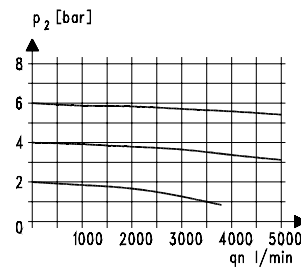
### L00, L01



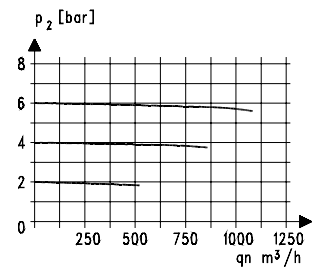
### L11, L12



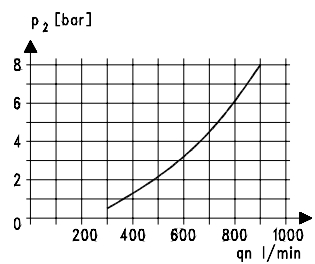
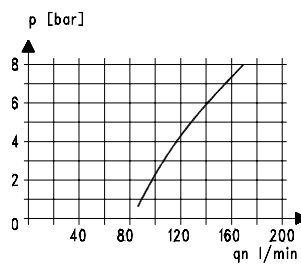
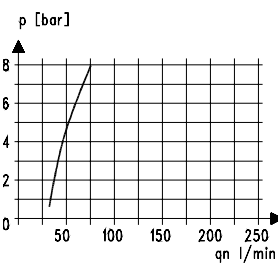
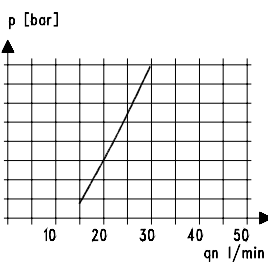
### L33, L34



### L54, L55



### P r e s s u r e



Technical modifications keep in reserve !

(2006/10)