

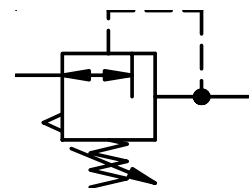
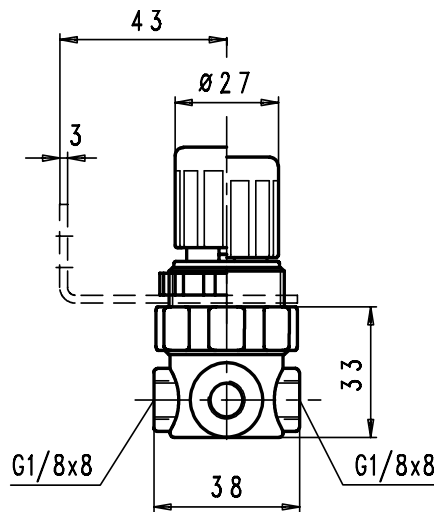
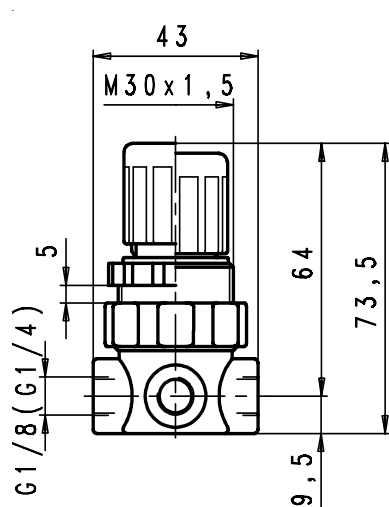
SPECIAL EQUIPMENT

1. MICRO REGULATORS

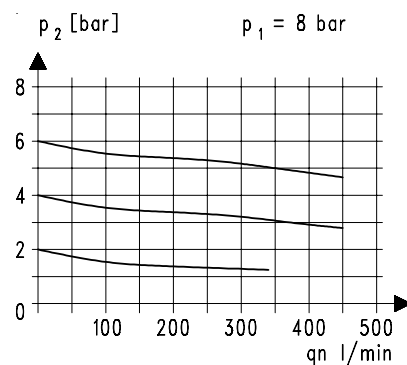
ITEM	DR02200	DR02201
Port size	G 1/8"	G 1/4"
Gauge size	G 1/8"	
Description	Air line regulator with diaphragm and relieving feature	
Mounting	Arbitrary	
Supply pres.	Pe max. 28 bar	
Reduc. pres.	Standard : Pa 0,5-10 bar Optional : Pa 0,1-3,5 bar / 0,15-7 bar	
Temp.	Max. 60°C (other temperature ranges upon request)	
Fixing	Panelmounting (DR0034) Mounting bracket (MW30)	
Weight	0,220 kg	



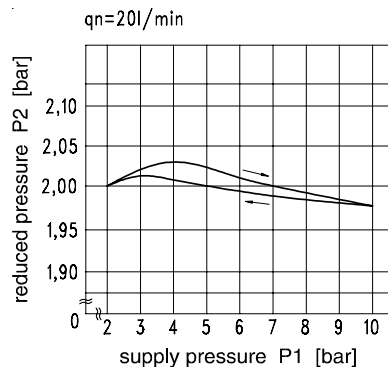
Gauge Not Included



Flow characteristics



Pressure characteristics



ordering indication

DR.022- ** *	
type	
1 port size	2 option

Port size
00 G 1/8"
01 G 1/4"

Options

example: **DR02201**