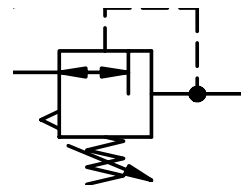
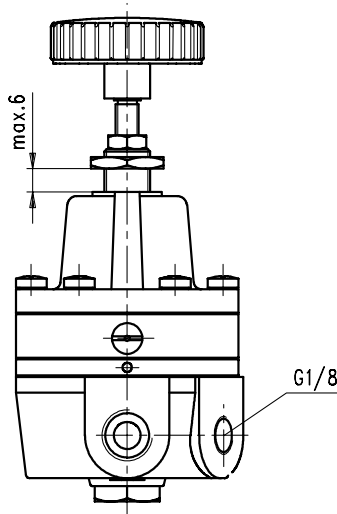
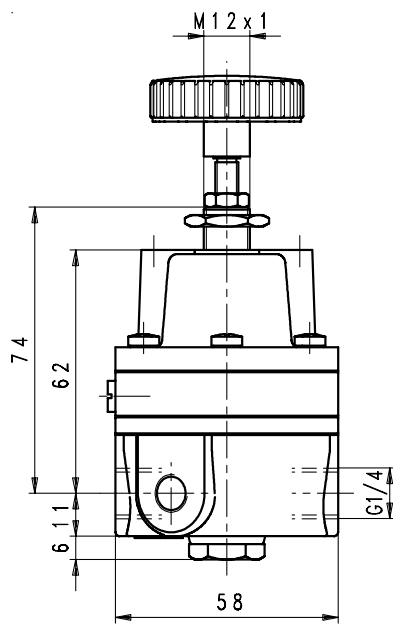


3. HIGH PRECISION REGULATORS

ITEM	FDR02		
Port size	G 1/4"		
Gauge size	G 1/8"		
Media	Compressed air sintered 5 µm, free of oil		
Description	Air line regulator with diaphragm and relieving feature		
Mounting	Arbitrary		
Supply pres.	Pe max. 16 bar		
Reduc. pres.	Pa 0,05 - 2 bar	Pa 0,05 - 4 bar	Pa 0,05 - 7 bar
Air cons. by supply pres.	< 2,2 l/min. Pe 5 bar	< 3 l/min. Pe 7 bar	< 4,1 l/min. Pe 10 bar
Temp.	Max. 60°C		
Fixing	Panel mounting		
Weight	0,600 kg		



Technical modifications keep in reserve !



ordering indication

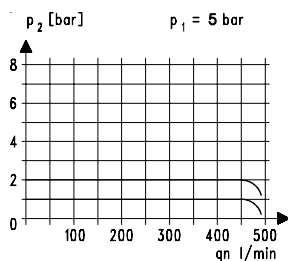
FDR. 02	*
type	
1 port size	2 option

Port size
02 G 1/4"

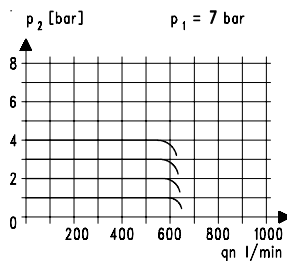
Options
B2 regulation range 0,05-2 bar
B4 regulation range 0,05-4 bar
B7 regulation range 0,05-7 bar

example: **FDR02B4**

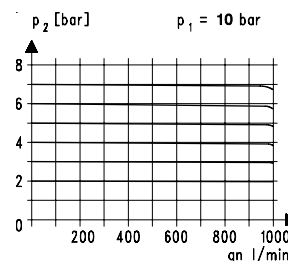
Flow characteristics (0,05 - 2 bar)



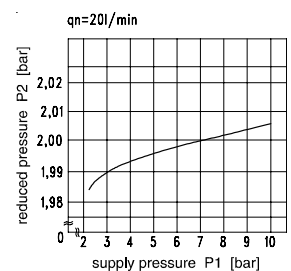
Flow characteristics (0,05 - 4 bar)



Flow characteristics (0,05 - 7 bar)



Pressure characteristic



(2004/01)