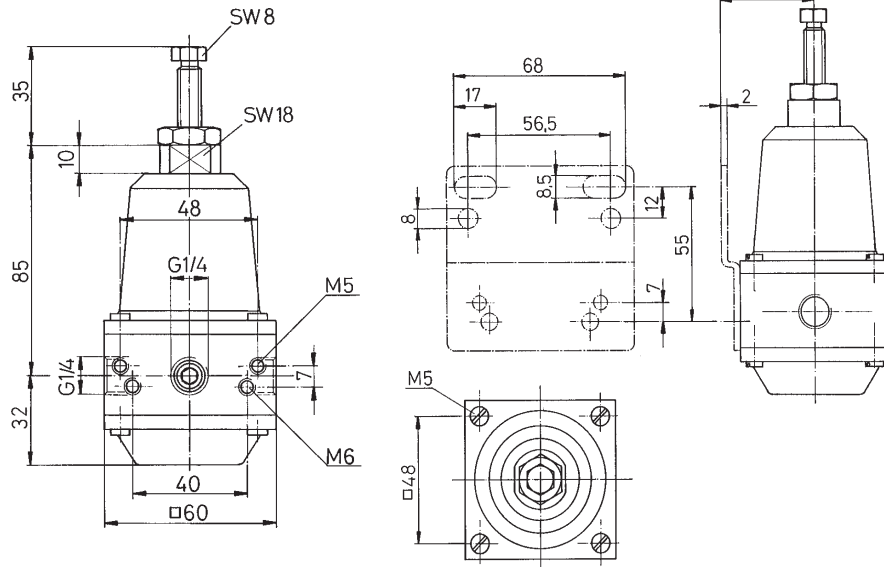
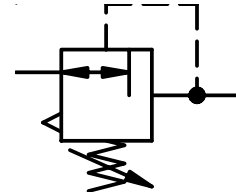


4. PRECISION REGULATORS

ITEM	FDR11
Port size	G 1/4"
Description	Air line regulator with diaphragm and relieving feature
Mounting	Arbitrary
Supply pres.	Pe max. 16 bar
Reduc. pres.	Pa 0,1 - 2 bar / Pa 0,1 - 3 bar / Pa 0,2 - 5 bar
Air cons.	0,01 l/min. , depend upon secondary pressure
Temp.	Max. 60°C
Fixing	Panel mounting, mounting bracket (FDP11-40)
Weight	0,910 kg



nonferrous metal free



ordering indication

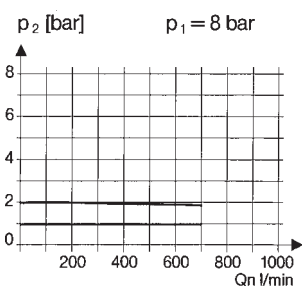
FDR. 11	*
type	option
1	2
port size	option

Port size
11 G 1/4"

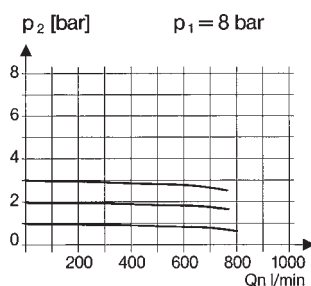
Options
E2 regulation range 0,1-2 bar
E3 regulation range 0,1-3 bar
E5 regulation range 0,2-5 bar

example: **FDR11E3**

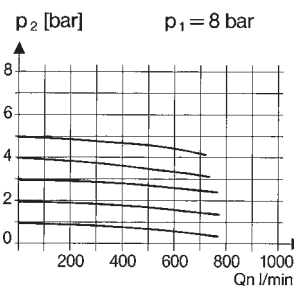
Flow characteristics (0,1 - 2 bar)



Flow characteristics (0,1 - 3 bar)



Flow characteristics (0,2 - 5 bar)



Pressure characteristics

