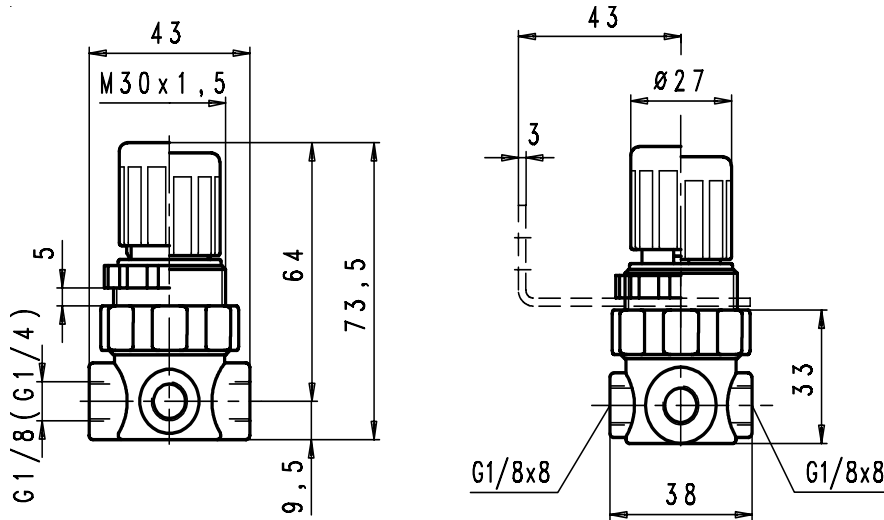
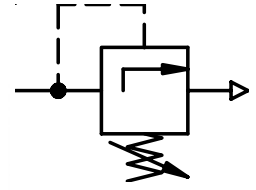


6. RELIEF VALVES

ITEM	DVU00	DVU01
Port size	G 1/8"	G 1/4"
Media	Air, non aggressive gases and fluids	
Description	Spring loaded diaphragm-relief-valve opening pressure adjustable	
Mounting	Arbitrary	
Pressure	Standard : Pn 3 bar Optional : Pn 2 bar / 7 bar / 10 bar	
Temp.	Max. 60°C (other temperature ranges upon request)	
Fixing	Panel mounting (DR0034) Mounting bracket (MW30)	
Weight	0,140 kg	



ordering indication

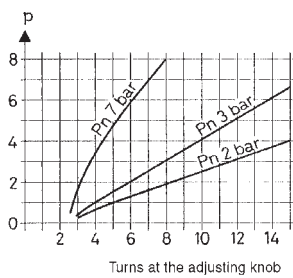
DVU. ** * type	*
1 port size	2 option

Port size
00 G 1/8"
01 G 1/4"

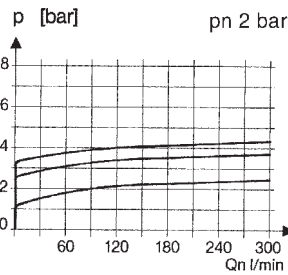
Options

example: **DVU01**

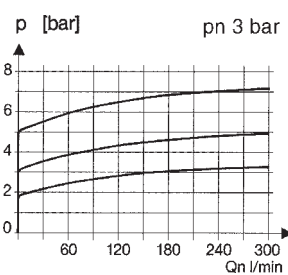
Flow characteristics



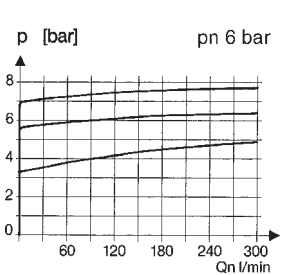
Pressure characteristics



Pressure characteristics



Pressure characteristics



Technical modifications keep in reserve !

(2004/01)