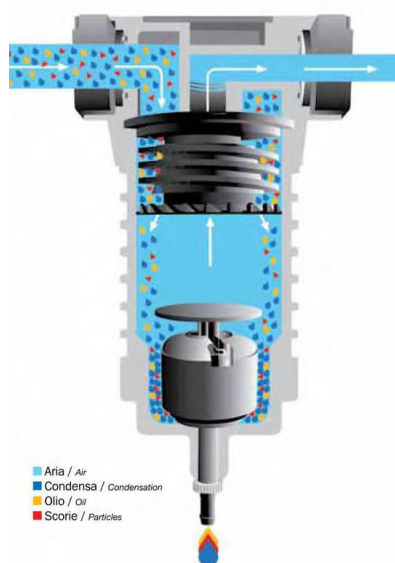


12. SECO 2000 SYSTEM - 100% PNEUMATIC AIR DRYER



The "Patented" SECO system

- 1/ Increase of the air speed, which generates a vacuum and a decrease in the temperature of the compressed air.
- 2/ Air expansion and lamination, which carry out a further removal of condensation.
- 3/ Cyclonic effect, which separates oil, solid particles and the condensation that may have newly formed.
- 4/ Draining of these contaminants through the automatic drain, which is located in the bowl.



Extend The Life Of Pneumatic Components!

A real solution to problems caused by water condensation, oil and solid particles in compressed air, operating machines, vehicles (buses, trains, metros), spray painting systems, control panels, chemical plants...

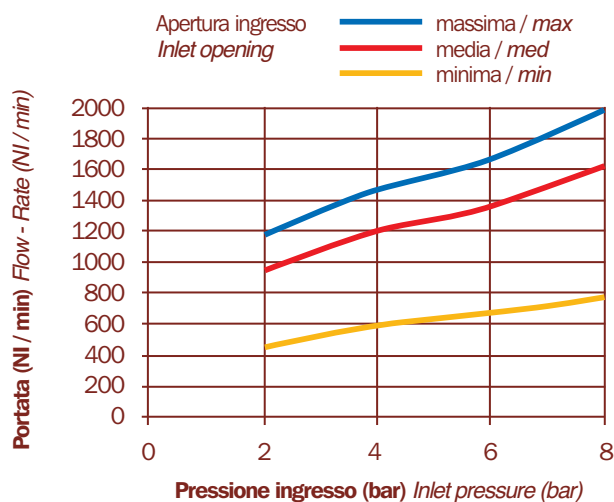
The SECO system works only with static components without movements. For this reason, it requires no maintenance. The only operation to be made is to check the automatic drain from time to time.

- + 100% Air Driven
- + No Energy Consumption
- + No Maintenance

Caratteristiche tecniche / Technical features

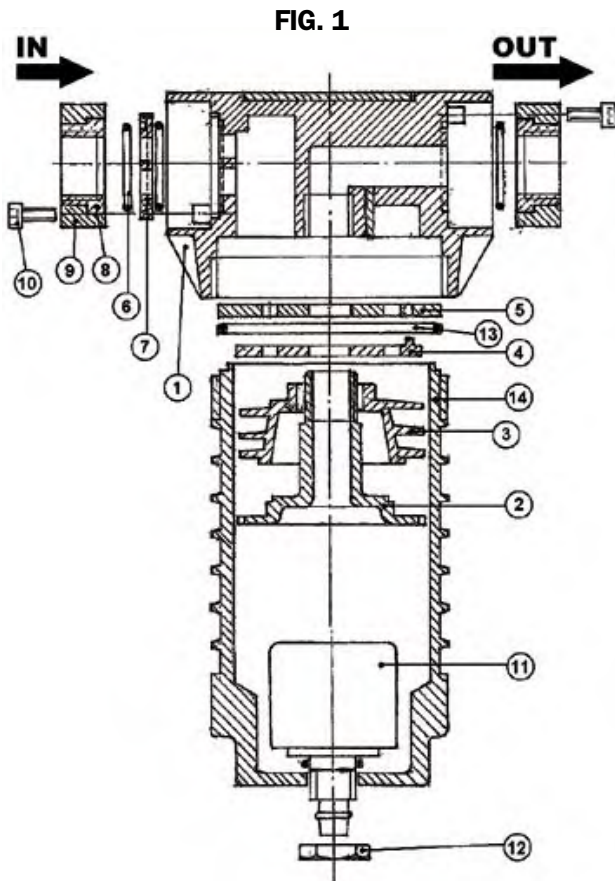
Codice articolo <i>Part number</i>	SEC 2008
Tipo costruttivo <i>Construction</i>	Ciclonico termodinamico <i>Thermodynamic type</i>
Materiali <i>Material</i>	Tecnopolimero <i>Technopolymer</i>
Attacchi <i>Connections</i>	1/2" G
Dimensioni <i>Dimension</i>	Altezza: 190 mm* <i>Height: 190 mm*</i> Diametro: 75 mm <i>Diameter: 75 mm</i>
Peso <i>Weight</i>	0,5 Kg
Montaggio <i>Mounting position</i>	Verticale <i>Vertical</i>
Temperatura d'esercizio <i>Working temperature</i>	-10°+50° C
Scarico di condensa <i>Drain</i>	Automatico <i>Automatic</i>
Fluido <i>Medium</i>	Aria compressa <i>Compressed air</i>
Pressione d'esercizio <i>Working pressure</i>	16 bar max
Portata max (6 bar ΔP 1) <i>Flow rate (6 bar ΔP 1)</i>	2000 NI/min
Impostazione di fabbrica <i>Factory setting</i>	300-1100 NI/min
Dew Point a 6 bar <i>Dew Point at 6 bar</i>	-8° C (medi) rispetto alla temperatura dell'aria in ingresso <i>-8° C (on average) with reference to the air temperature at the inlet</i>

Diagramma di portata / Flow-rate chart (ΔP 0,5 bar)



NOTE TECNICHE PER L'INSTALLAZIONE

Technical notes for installation



- | | |
|---|--|
| ① Testata / Head | ⑧ Inserto ottone 1/2" / Brass connector 1/2" |
| ② Ventolina / Fan | ⑨ Blocchetto per inserto / Connector holder |
| ③ Ciclone / Cyclone | ⑩ Vite TC M4X14 / Screw TC M4X14 |
| ④ Flangia Lam. Inf. / Lower lamination flange | ⑪ Scaricatore automatico / Automatic drain |
| ⑤ Flangia Lam. Sup. / Upper lamination flange | ⑫ Ghiera M8 / Bolt 1 |
| ⑥ O-R 2087 | ⑬ O-R 3237 |
| ⑦ Rondella di laminazione / Lamination flange | ⑭ Cilindro / Reservoir |

The device "SEC System 2008" has to be installed upright an upstream of pressure regulator and lubricator and at a proper distance from the compressor. Maximum working pressure 12 bar.

It is supplied factory - set for a flow - rate between 300 and 1100 NI/1' as showed on picture 3.

Should you have to adjust the flow - rate, please refer to the "Table of flow - rate adjustment"

This device does not require any maintenance, except for the automatic drain (Item 11, picture 1). Actually, as oil and solid particles are taken off in high amounts, it is recommended to check the drain periodically.

It is recommended not to use solvents to clean the item 11.

Installation on air distribution lines

The same conditions of the installation on automatic machinery apply.

The only additional recommendation is to make lines tht not exceed the length of 10m from the outlet of the device SEC System 2008.

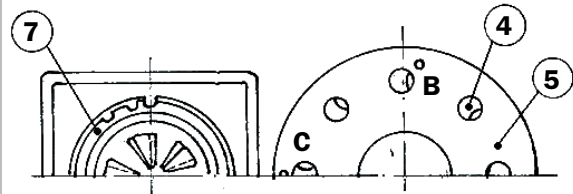


FIG. 2

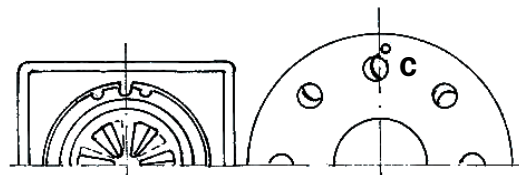


FIG. 3

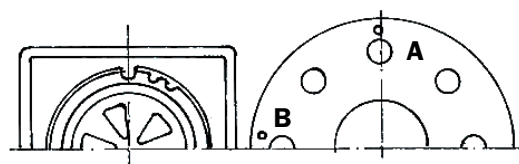


FIG. 4

TABELLA MODIFICA PORTATE

Table of flow - rate adjustment

Portata NI/1' Flow - rate NI/1'	Agire su: Pos. 5 e Pos. 7 Operate on: items 5 and 7
7 BAR Δp 1	
100 - 300	Fig. 2
300 - 1100	Fig. 3
1100 - 2000	Fig. 4