

## 2. DRY VALVES (total separation)

### Description:

Dry valves are needed in applications where it must be avoided that the controlled liquid or gaseous medium gets in touch with certain internal parts of the valve.

The solenoid controls the opening & closing movement by means of a lever or a diaphragm.

In the first case the lever penetrates the valve through an elastic protective sheath.

In the second case, the diaphragm is inside the valve body.

### Advantages:

- Total separation between medium & solenoid
- Direct acting
- Available in Stainless steel (AISI 316)

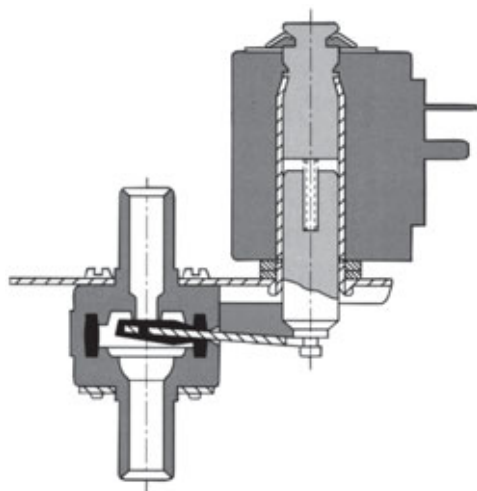
### Versions:

- Two or three way, normally closed or open
- Female or male threaded ports or hose connections
- Internal orifices Ø 1.2 to 10 mm

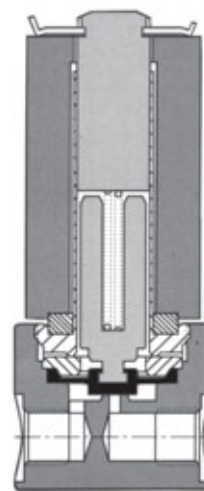
### Applications:

- Food
- Agriculture & horticulture
- Laboratory
- Paramedical installations

### SEPARATION LEVER



### SEPARATION DIAPHRAGM



MORE DETAILS & OTHER TYPES AVAILABLE ON REQUEST