

# PNEUMATIC VALVES

## 1. General overview

- 1.1 Pneumatic valves with reciprocating actuator (gate, globe, angle)
- 1.2 Pneumatic valves with rotary actuator (ball, butterfly)
- 1.3 Optional accessories

## 2. Data sheets (of the valves we have in STOCK)

- ART. "B" Globe valve
- ART. "F" Ball valve
- ART. "F3" 3-Way ball valve
- ART. "DV" Angle steam valve

(data sheets of other types on request)




## 1. GENERAL OVERVIEW

### 1.1 RECIPROCATING ACTUATOR

They are used to control gate valves, flow valves and all shutter valves. They basically consist of a cylinder and a piston directly connected to the valve shutter.

**ART. A**

**GATE VALVE**



DA	SANC	SANO
3/4"	3/4"	3/4"
1"	1"	1"
5/4"	5/4"	5/4"
6/4"	6/4"	6/4"
2"	2"	2"
10/4"	10/4"	
3"	3"	
4"		

**ART. B**

**GLOBE VALVE**  
(detailfiche see page 5.04.05)




**STOCK**

DA	SANC	SANO
1/2"	1/2"	1/2"
3/4"	3/4"	3/4"
1"	1"	1"
5/4"	5/4"	5/4"
6/4"	6/4"	6/4"
2"	2"	2"

**ART. BHP**


**GLOBE VALVE FOR HIGH PRESSURE**



DA	SANC	SANO
1/4"	1/4"	1/4"
3/8"	3/8"	3/8"

**ART. B3**

**DIVERTING 3-WAY GLOBE VALVE**



DA	SA
1/2"	1/2"
3/4"	1/2"
1"	1"
5/4"	5/4"
6/4"	6/4"
2"	2"

**ART. C**

**RIGHT-ANGLE CONNECTION VALVE**



DA
5/4"
2"
3"

**ART. C3**

**3-WAY RIGHT-ANGLE CONNECTION VALVE FOR VACUUM**



DA
1/2"
5/4"
2"
3"

**ART. T**


**COMPACT RIGHT-ANGLE CONNECTION VALVE FOR LOW PRESSURE (Δ P)**



DA	SANC
3/4"	3/4"
1"	1"
5/4"	5/4"

**ART. D**

**ANGLE VALVE**



DA	SANC	SANO
1/2"	1/2"	1/2"
3/4"	3/4"	3/4"
1"	1"	1"
5/4"	5/4"	5/4"
6/4"	6/4"	6/4"
2"	2"	2"
10/4"	10/4"	
3"	3"	

**ART. DV**

**ANGLE STEAM VALVE**



**STOCK**

DA	SANC	SANO
1/2"	1/2"	1/2"
3/4"	3/4"	3/4"
1"	1"	1"
	5/4"	
	6/4"	
	2"	
	10/4"	
	3"	

Technical modifications keep in reserve !

(2010/07)

## ART. AX

INOX



**ANGLE VALVE  
BODY IN STAIN-  
LESS STEEL  
(AISI 316)  
ACTUATOR IN  
ALUMINIUM**

DA	SANC	SANO
1/2"	1/2"	1/2"
3/4"	3/4"	3/4"
1"	1"	1"
5/4"	5/4"	5/4"
6/4"	6/4"	6/4"
2"	2"	2"

## ART. Y



**COMPACT ANGLE  
VALVE FOR  
LOW PRESSURE  
(Δ P)**

DA	SANC
1/2"	1/2"
3/4"	3/4"
1"	1"
5/4"	5/4"
6/4"	6/4"
2"	2"

## ART. PET

INOX



**ANGLE VALVE IN  
STAINLESS STEEL  
(AISI 316)  
FOR  
HIGH PRESSURE**

DA
1/2"
3/4"

## 1.2 ROTARY ACTUATOR

They have been specially designed for controlling ball & butterfly valves, or any other valves where the reciprocating, rectilinear movement of the piston needs to be transformed into a rotary movement needed to open or close the valves. They can be used in order to produce the considerable torque needed to control large diameter valves.

## ART. F

STOCK



**BALL VALVE**  
(detailfiche see  
page 5.04.07)

DA	SANC	SANO
3/8"	3/8"	3/8"
1/2"	1/2"	1/2"
3/4"	3/4"	3/4"
1"	1"	1"
5/4"	5/4"	5/4"
6/4"	6/4"	6/4"
2"	2"	2"
10/4"		
3"		
4"		

## ART. FHP



**BALL VALVE FOR  
HIGH PRESSURE**

DA
3/8"
1/2"
3/4"
1"

## ART. F2



**FLANGED BALL  
VALVE**

DA	SANC	SANO
DN20	DN20	DN20
DN25	DN25	DN25
DN32	DN32	DN32
DN40	DN40	DN40
DN50	DN50	DN50
DN65		

## ART. F3L or F3T

STOCK



**3-WAY BALL  
VALVE**  
L or T drilled  
(detailfiche see  
page 5.04.10)

DA	SA
1/2"	1/2"
3/4"	3/4"
1"	1"
5/4"	5/4"
6/4"	6/4"
2"	2"

## ART. F3D



**DIVERTING 3-WAY  
BALL VALVE**

DA	SA
1/2"	1/2"
3/4"	3/4"
1"	1"
5/4"	5/4"
6/4"	6/4"
2"	2"

## ART. G1



**BALL VALVE WITH  
FLAT BODY  
(AISI 316)**

DA	SANC	SANO
DN15	DN15	DN15
DN20	DN20	DN20
DN25	DN25	DN25
DN32	DN32	DN32
DN40	DN40	DN40
DN50	DN50	DN50

### ART. HP



**BALL VALVE FOR HIGHPRESSURE (ONLY FOR OLEODYNAMICS)**

DA
1/8"
1/4"
3/8"
1/2"
3/4"
1"
5/4"
6/4"

### ART. HP3



**3-WAY BALL VALVE FOR HIGHPRESSURE (ONLY FOR OLEODYNAMICS)**

DA
1/8"
1/4"
3/8"
1/2"
3/4"
1"

### ART. HPX



**INOX**  
**STAINLESS STEEL (AISI 316) BALL VALVE FOR HIGHPRESSURE**

DA
1/4"
3/8"
1/2"
3/4"
1"
5/4"

### ART. AL or AL/1



**INOX**  
**STAINLESS STEEL (AISI 304 or 316) BALL VALVE**

DA	SANC	SANO
3/8"	3/8"	3/8"
1/2"	1/2"	1/2"
3/4"	3/4"	3/4"
1"	1"	1"
5/4"	5/4"	5/4"
6/4"	6/4"	6/4"
2"	2"	2"
10/4"		
3"		
4"		

### ART. AL2/1



**INOX**  
**STAINLESS STEEL (AISI 316) FLANGED BALL VALVE**

DA	SANC	SANO
DN10	DN10	DN10
DN15	DN15	DN15
DN20	DN20	DN20
DN25	DN25	DN25
DN32	DN32	DN32
DN40	DN40	DN40
DN50	DN50	DN50
DN65		
DN80		

### ART. AL3L/1 or AL3T/1



**INOX**  
**STAINLESS STEEL (AISI 316) 3-WAY BALL VALVE**

DA	SA
3/8"	3/8"
1/2"	1/2"
3/4"	3/4"
1"	1"
5/4"	5/4"
6/4"	6/4"
2"	2"

### ART. AL3D



**INOX**  
**STAINLESS STEEL (AISI 316) DIVERTING 3-WAY BALL VALVE**

DA	SA
3/8"	3/8"
1/2"	1/2"
3/4"	3/4"
1"	1"
5/4"	5/4"
6/4"	6/4"
2"	2"
10/4"	
3"	
4"	

### ART. R1



**INOX**  
**3-PIECE STAINLESS STEEL (AISI 316) BALL VALVE**

DA	SANC	SANO
3/8"	3/8"	3/8"
1/2"	1/2"	1/2"
3/4"	3/4"	3/4"
1"	1"	1"
5/4"	5/4"	5/4"
6/4"	6/4"	6/4"
2"	2"	2"

### ART. F4G or F4A



**BUTTERFLY VALVE IN CAST IRON**

F4G-DA	F4A-DA
DN50	DN40
DN65	DN50
DN80	DN65
DN100	DN80
DN125	DN100
DN150	DN125
DN200	DN150

### ART. VF



**BUTTERFLY VALVE IN ALUMINIUM**

(The flanges are NOT according to the standards)

DA	SANC	SANO
DN80	DN80	DN80
DN100	DN100	DN100
DN150	DN150	DN150
DN200	DN200	DN200
DN250	DN250	DN250

### ART. VFM



**BUTTERFLY VALVE IN ALUMINIUM MANUAL VERSION**

(The flanges are NOT according to the standards)

DA	SANC	SANO
DN80	DN80	DN80
DN100	DN100	DN100
DN150	DN150	DN150
DN200	DN200	DN200
DN250	DN250	DN250

### ART. AL4



**INOX**  
**BUTTERFLY VALVE IN STAINLESS STEEL (AISI 304)**

DA	SANC	SANO
1"	1"	1"
5/4"	5/4"	5/4"
6/4"	6/4"	6/4"
2"	2"	2"
10/4"	10/4"	10/4"
3"	3"	3"
4"		

DA DOUBLE ACTING  
SANC SINGLE ACTING NORMALLY CLOSED  
SANO SINGLE ACTING NORMALLY OPEN

### 1.3 OPTIONAL ACCESSORIES

#### MANUAL CONTROL WITH LEVER



#### SLOTTED HOLE PROTECTION RING



#### ACTUATOR WITH NAMUR CONNECTION



#### ACTUATOR WITH ISO CONNECTION



#### MOUNTING BRACKET FOR PROXIMITY SWITCH



**STOCK**

#### MOUNTING BRACKET FOR ELECTROMECHANICAL PROXIMITY SWITCH

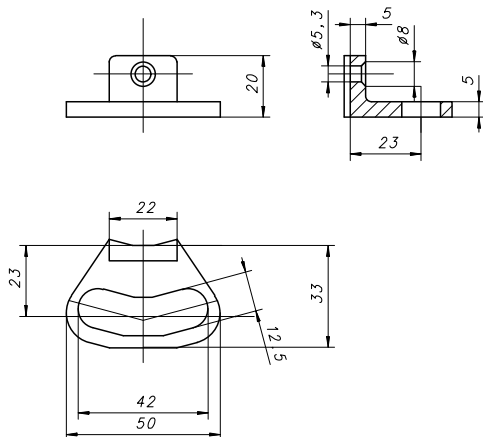


#### DESCRIPTION

1 kit = set of 2 brackets + 1 lever  
(the switch is not included)

#### ORDER CODE

**1200002-M8** For actuators  $\varnothing \leq 80$   
**1200003-M10** For actuators  $\varnothing > 100$



Technical modifications keep in reserve !

(2001/10)